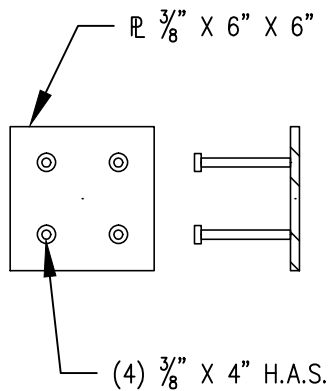
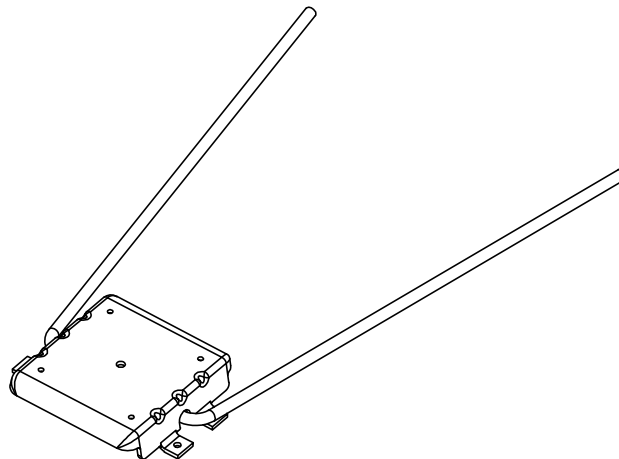


**NOTES:**

1. Does NOT meet Bearing Wall Structural integrity requirement (ACI 318-08 16.5.2.1) of 1500 lbs/ft nominal @ code perscribed maximum spacing of 10' O.C.
2. Should be used at bearing end only or substitute a JVI PSA slotted insert and strap for HCA R at non-load bearing conditions. Design capacities shown do not reflect the use of PSA insert and should be re-evaluated.



$\phi$ Xn=	9.1 KIPS
$\phi$ Yn=	NEGLECT
$\phi$ Zn=	10.9 KIPS



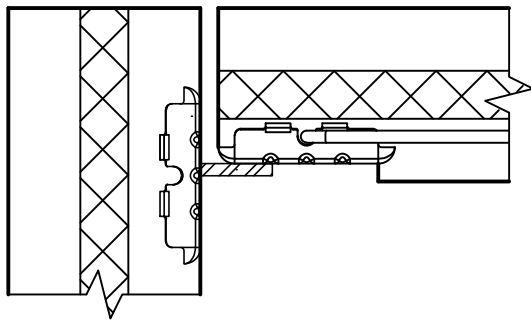
7131 North Ridgeway Avenue  
 Lincolnwood, Illinois 60712 USA  
 TEL. 1-800-742-8127 - FAX 847-675-0083

**SPIDER PLATE CONCEPTS**

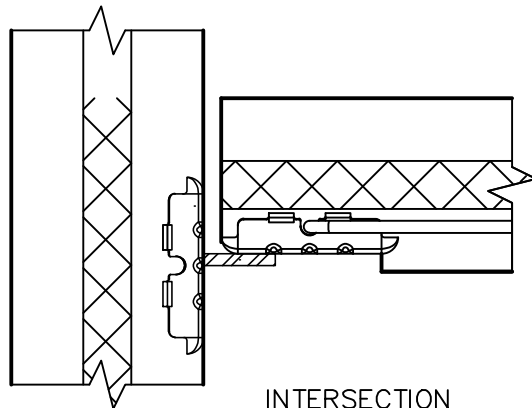
TEE FLANGE TO WALL  
 CONNECTION



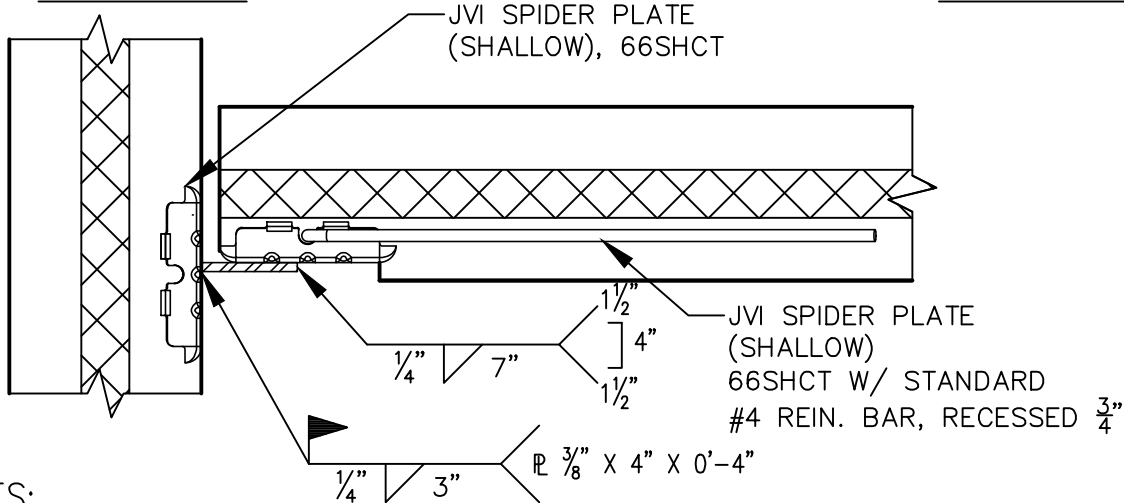
DATE <b>07.07.2014</b>	DRAWN <b>JVI</b>	CHECKED _____	SCALE <b>1 1/2" = 1'</b>
---------------------------	---------------------	------------------	-----------------------------



INSIDE CORNER



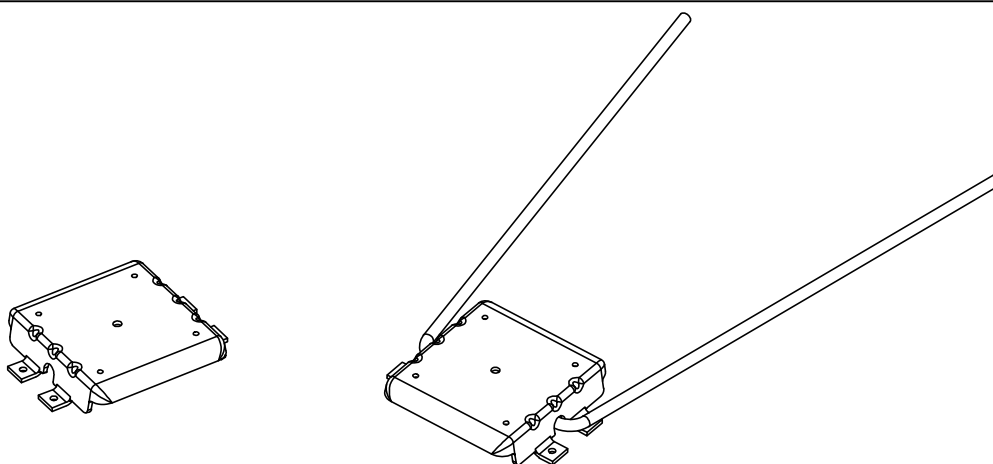
INTERSECTION



NOTES:

1. Current governing failure mode in x-direction is governed by the base material at the weld from the erection plate to the spider  $\text{P}$  w/o reinforcing. Brittle failure is not acceptable. Testing data should be re-evaluated to rationalize ductile behavior.
2. Eliminate solid zones in insulated panels, thicker wythes can accept a deep spider  $\text{P}$ .

$\phi$ Xn=	13.4 KIPS
$\phi$ Yn=	10.9 KIPS
$\phi$ Zn=	NEGLECT



7131 North Ridgeway Avenue  
Lincolnwood, Illinois 60712 USA  
TEL. 1-800-742-8127 - FAX 847-675-0083

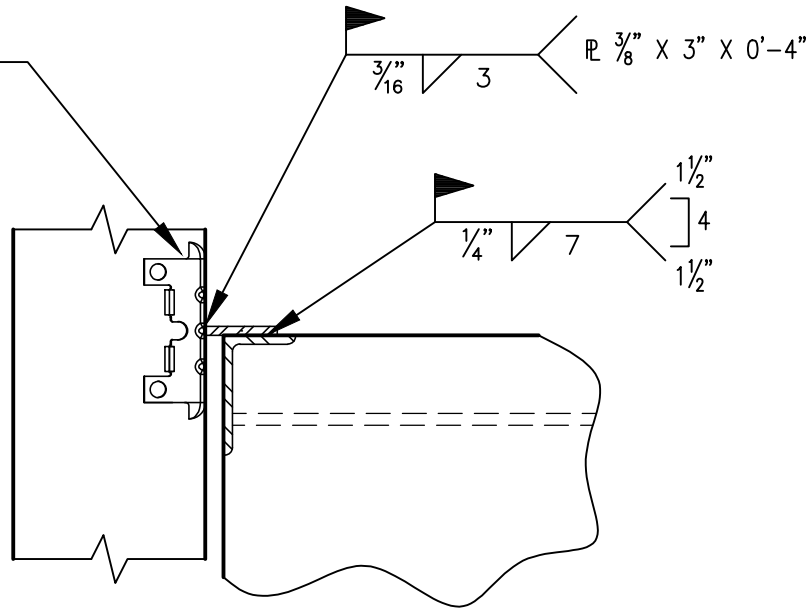
SPIDER PLATE CONCEPTS

WALL PANEL TO WALL PANEL  
VERTICAL CORNER JOINT



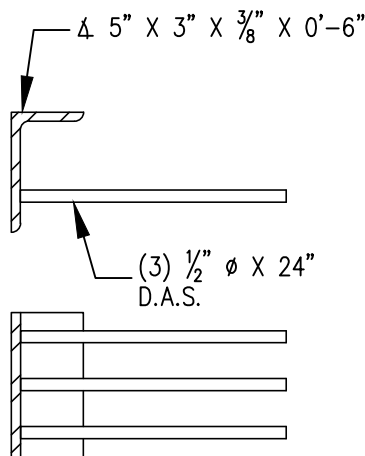
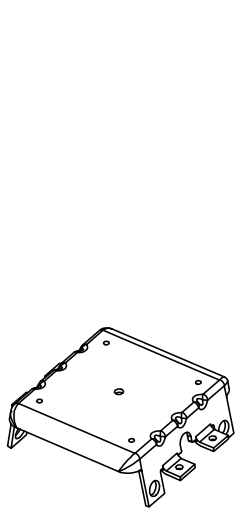
DATE	DRAWN	CHECKED	SCALE
07.07.2014	JVI	---	$1\frac{1}{2}$ "=1'

JVI SPIDER PLATE  
(DEEP), 66DHCT



NOTES:

1. Angle is assumed to flex about DBAs to allow for material contraction.



$\phi$ Xn=	1.95 KIPS
$\phi$ Yn=	2.1 KIPS
$\phi$ Zn=	1.82 KIPS



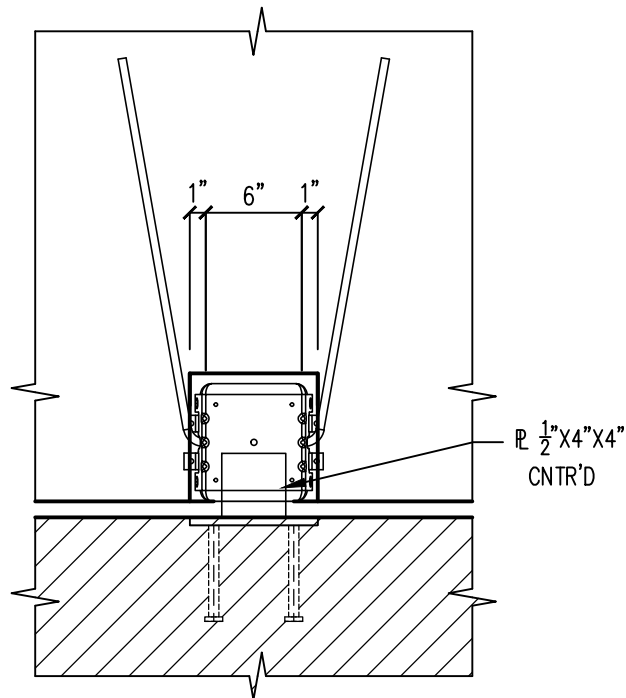
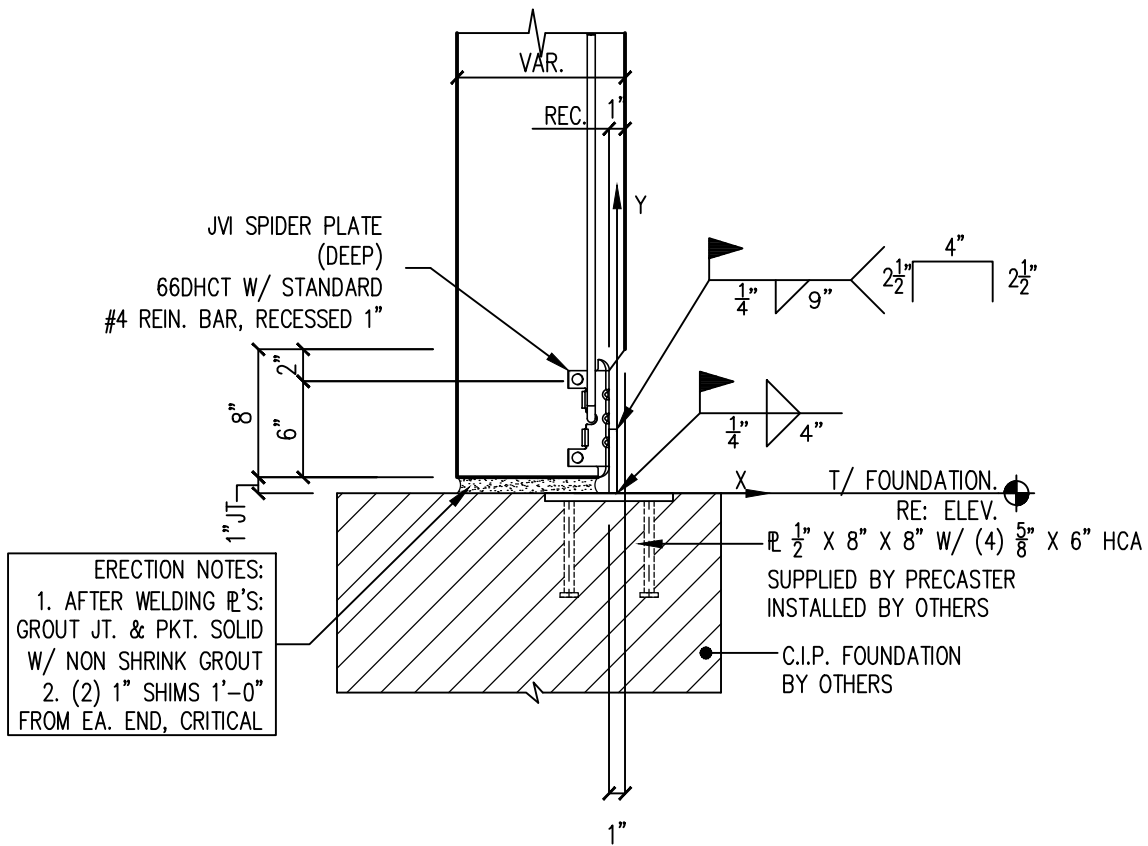
7131 North Ridgeway Avenue  
Lincolnwood, Illinois 60712 USA  
TEL. 1-800-742-8127 - FAX 847-675-0083

SPIDER PLATE CONCEPTS

ERECTION CONNECTION, BEAM  
TO COLUMN, WALL TO WALL.



DATE 07.07.2014	DRAWN JVI	CHECKED ---	SCALE 1 1/2" = 1'
--------------------	--------------	----------------	----------------------



\*CAPACITY FOR THIS LOADING IS PROVIDED BY INSPECTION WITH CONSIDERATION OF OFFSET TENSION DATA. ACTUAL CONFIGURATION W/ CONSIDERATION OF PRYING NOT TESTED.

$\phi$ Xn=	2.3 KIPS*
$\phi$ Yn=	18 KIPS
$\phi$ Zn=	10.0 KIPS



7131 North Ridgeway Avenue  
Lincolnwood, Illinois 60712 USA  
TEL. 1-800-742-8127 - FAX 847-675-0083

### SPIDER PLATE CONCEPTS

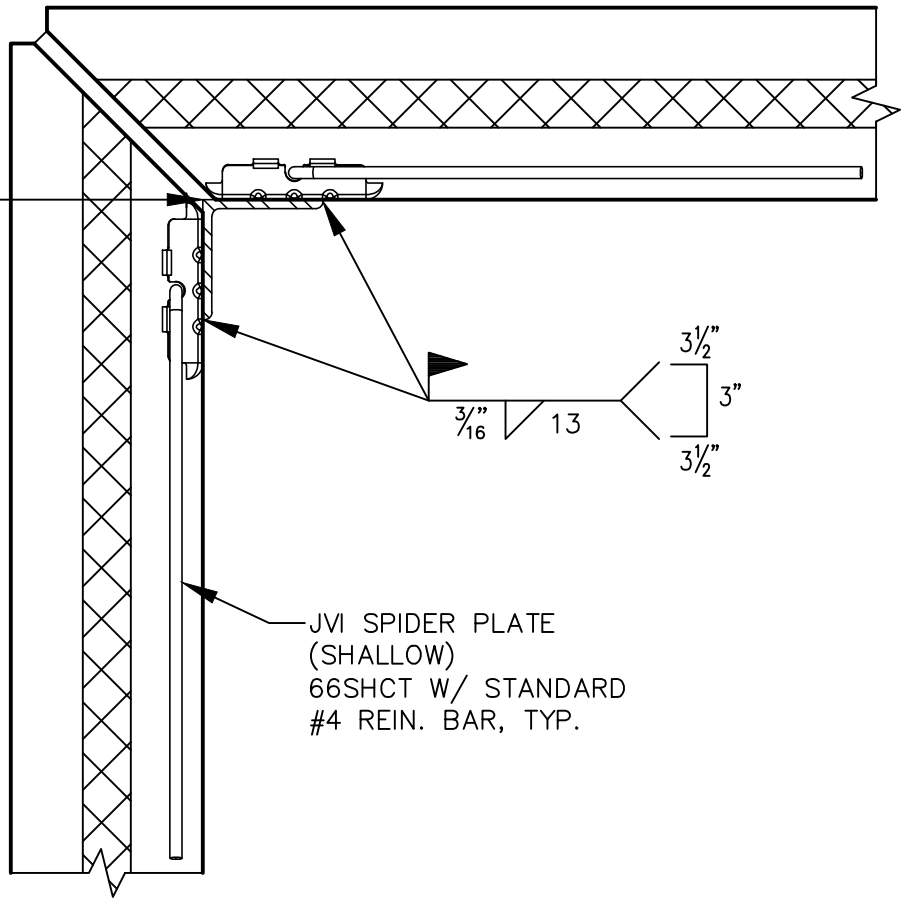
FOUNDATION TO WALL AT  
HORIZONTAL JOINT



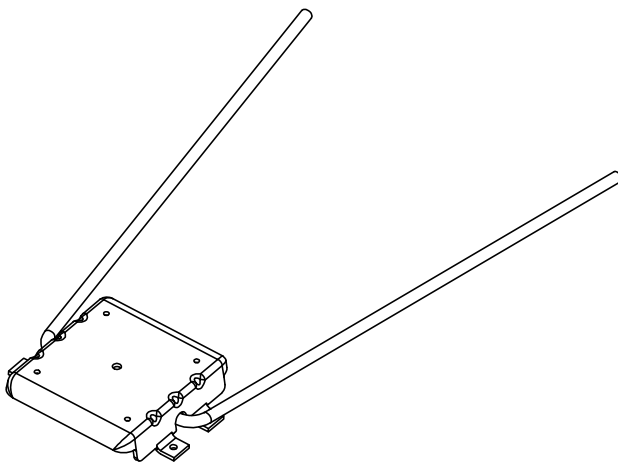
4

DATE 07.07.2014	DRAWN JVI	CHECKED ---	SCALE 1 1/2" = 1'
--------------------	--------------	----------------	----------------------

4 5" X 5" X  $\frac{3}{8}$ " X 0'-3"



JVI SPIDER PLATE  
(SHALLOW)  
66SHCT W/ STANDARD  
#4 REIN. BAR, TYP.



$\phi$ Xn=	1.82 KIPS
$\phi$ Yn=	1.15 KIPS
$\phi$ Zn=	1.82 KIPS



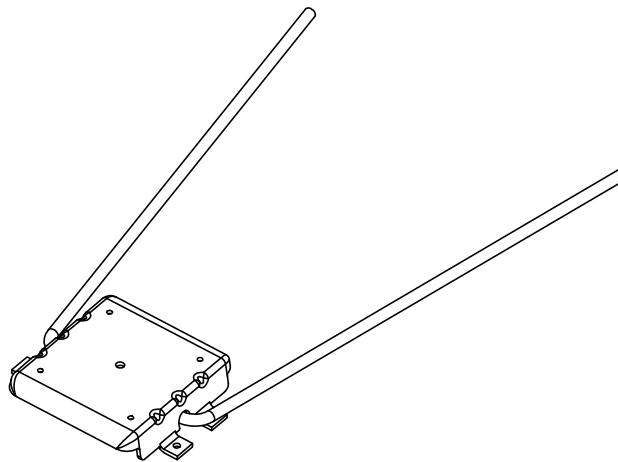
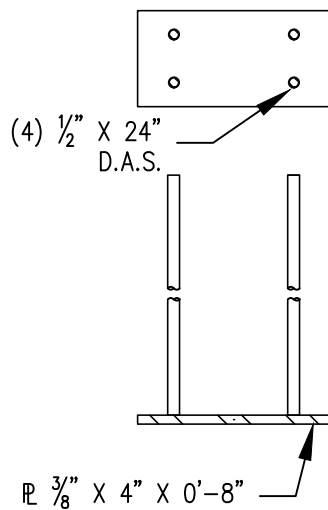
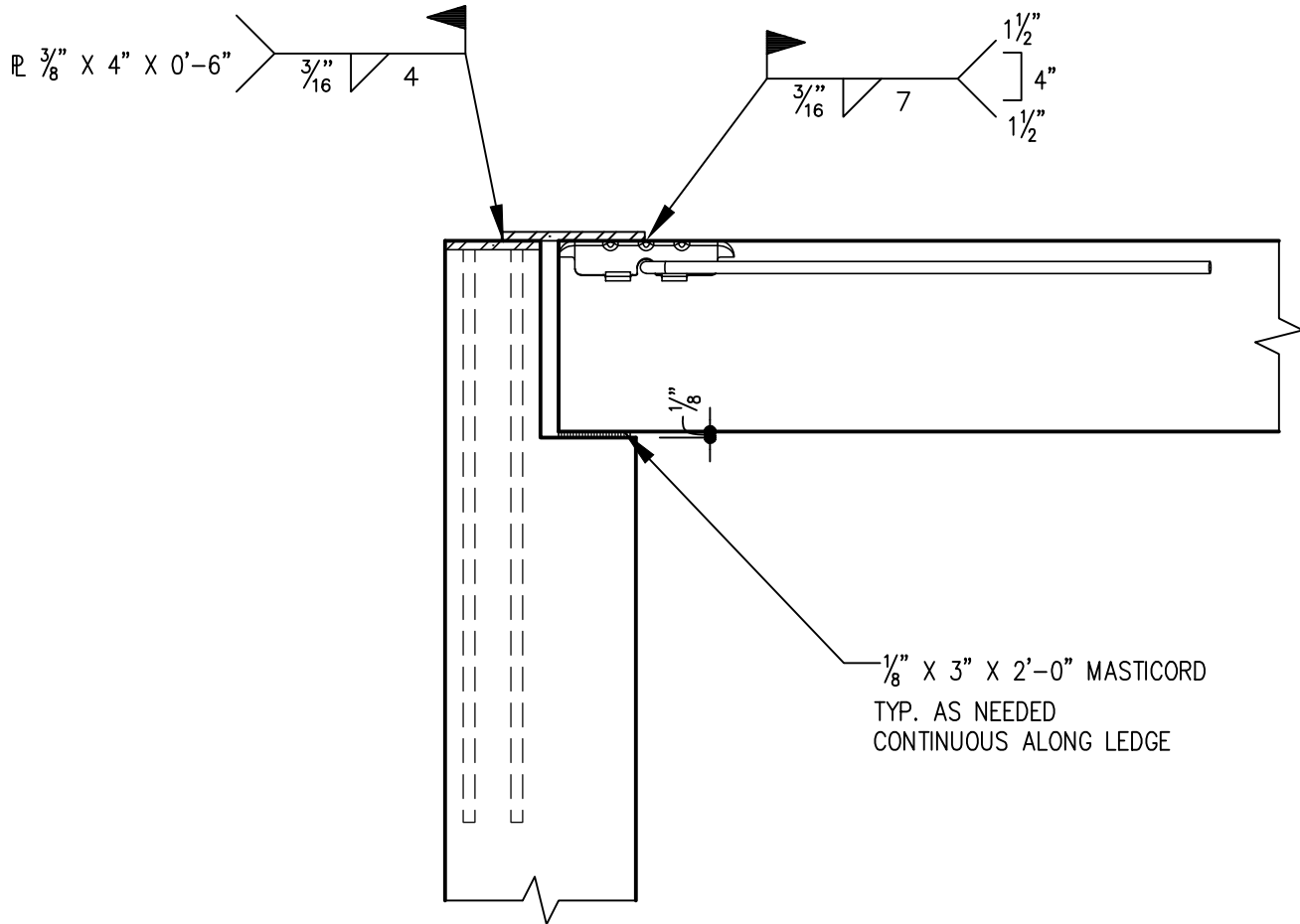
7131 North Ridgeway Avenue  
Lincolnwood, Illinois 60712 USA  
TEL. 1-800-742-8127 - FAX 847-675-0083

SPIDER PLATE CONCEPTS

WALL TO WALL @ MITER



DATE 07.07.2014	DRAWN JVI	CHECKED ---	SCALE $1\frac{1}{2}"=1'$
--------------------	--------------	----------------	-----------------------------



$\phi$ Xn=	5.76 KIPS
$\phi$ Yn=	NEGLECT
$\phi$ Zn=	10.9 KIPS



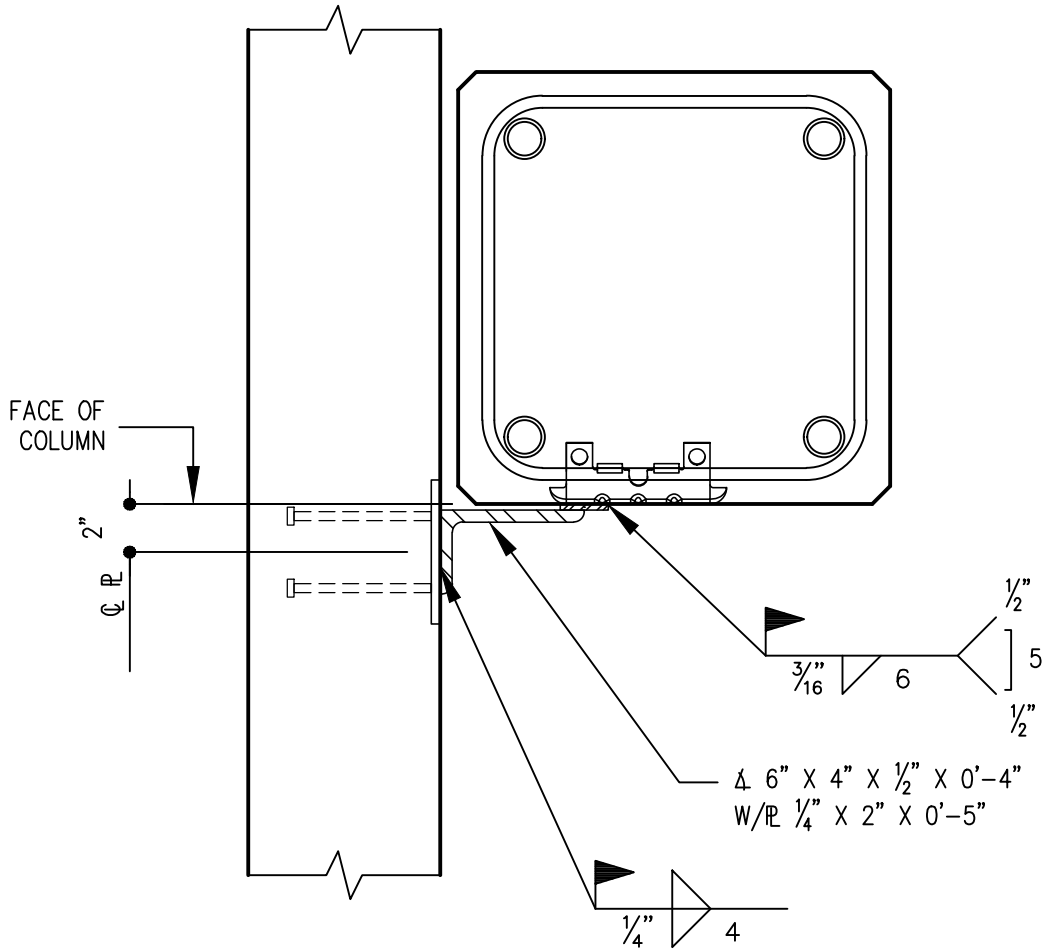
7131 North Ridgeway Avenue  
 Lincolnwood, Illinois 60712 USA  
 TEL. 1-800-742-8127 - FAX 847-675-0083

SPIDER PLATE CONCEPTS

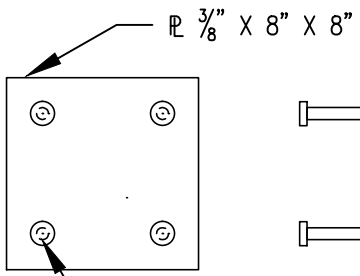
SHEAR CONNECTION AT SLAB  
 POCKET



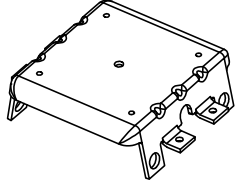
DATE	DRAWN	CHECKED	SCALE
07.07.2014	JVI	---	$1\frac{1}{2} \text{''} = 1 \text{'}$



∅ Xn=	10.18 KIPS
∅ Yn=	NEGLECT
∅ Zn=	NEGLECT



(4) 1/2" X 6" H.A.S.



7131 North Ridgeway Avenue  
Lincolnwood, Illinois 60712 USA  
TEL. 1-800-742-8127 - FAX 847-675-0083

SPIDER PLATE CONCEPTS

SOFT SPANDREL CONNECTION



DATE	DRAWN	CHECKED	SCALE
07.07.2014	JVI	---	1 1/2" = 1'