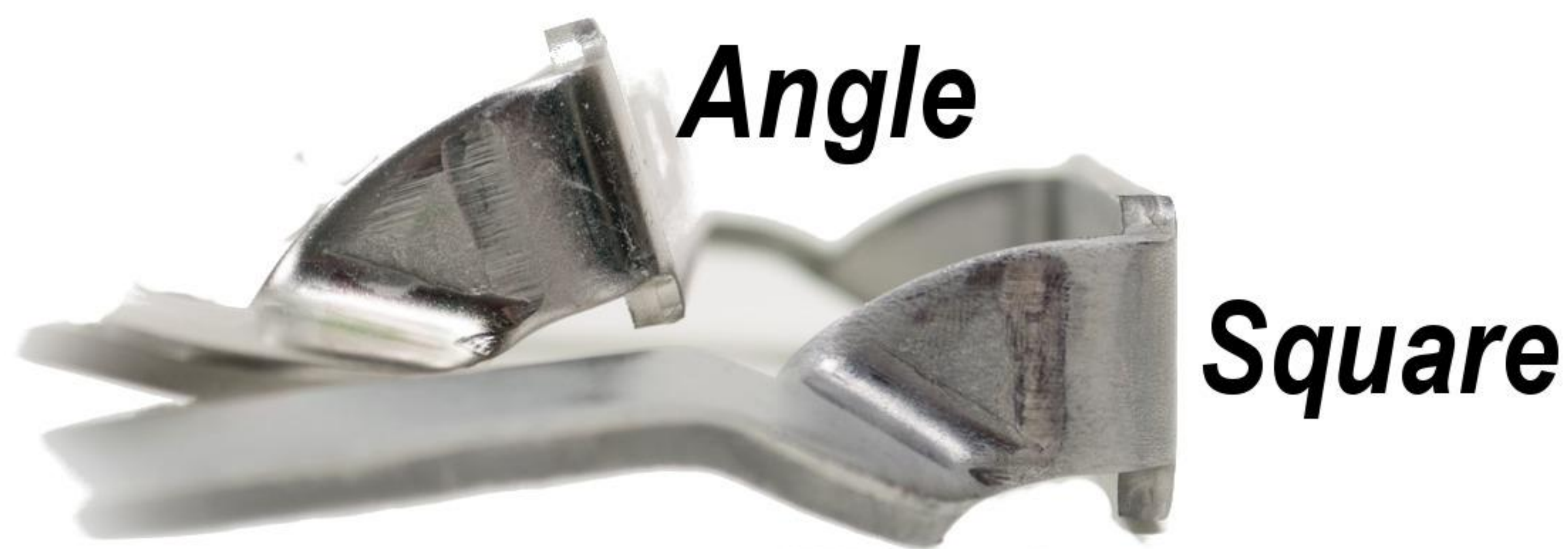


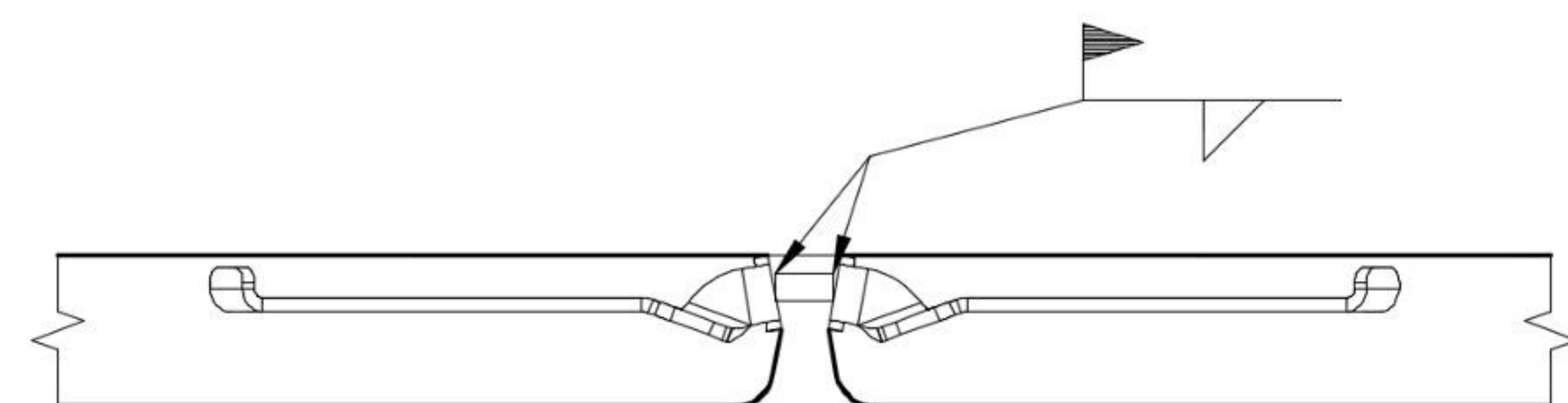
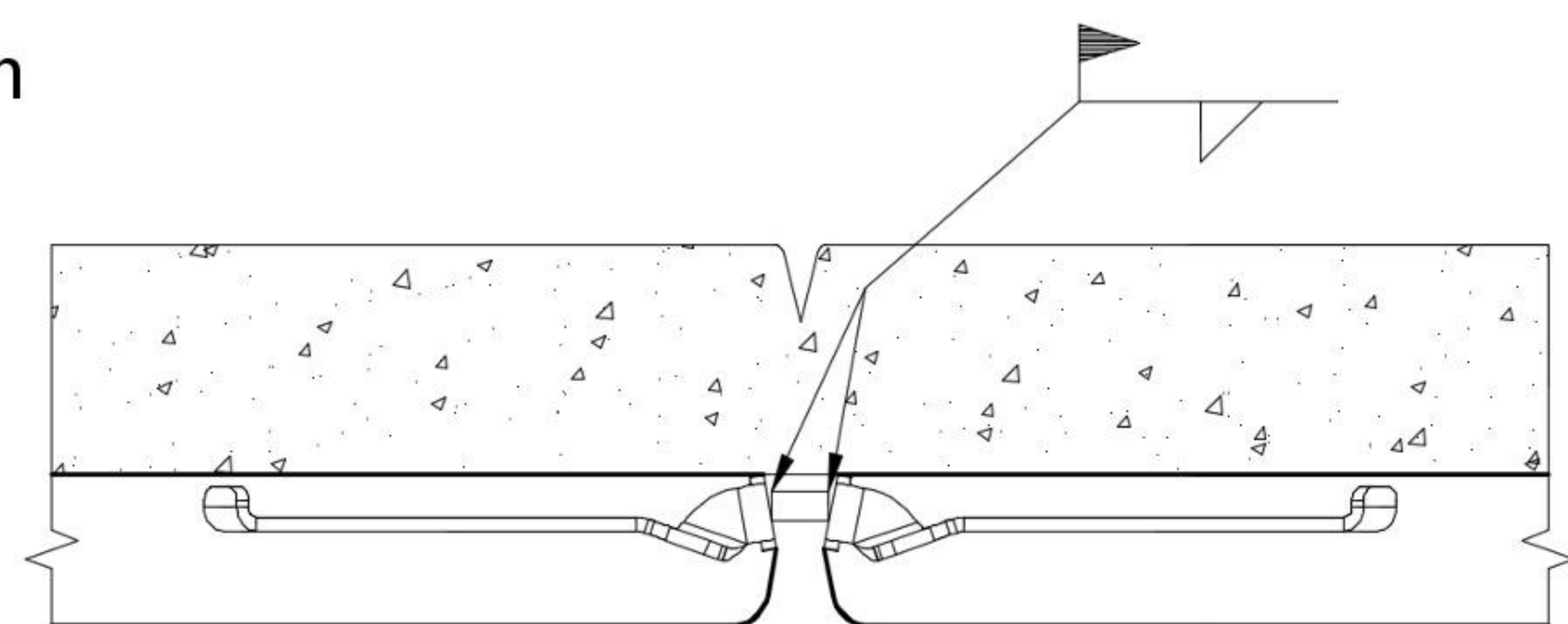
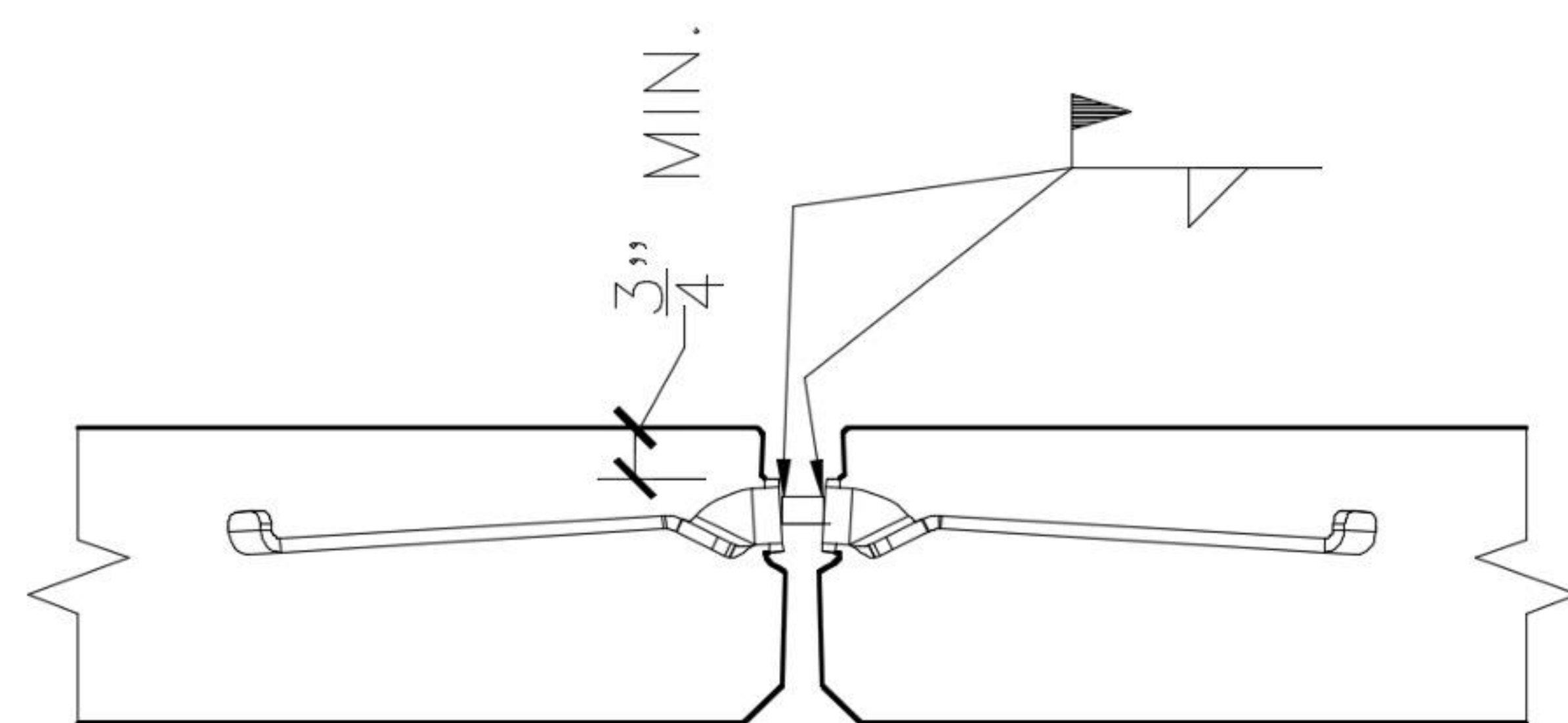
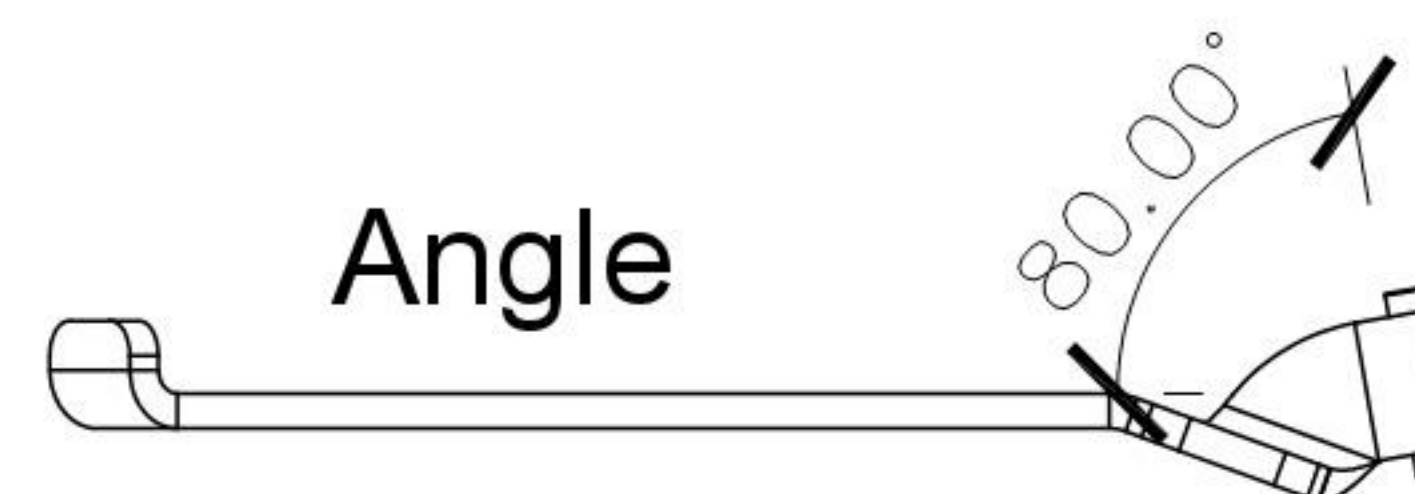
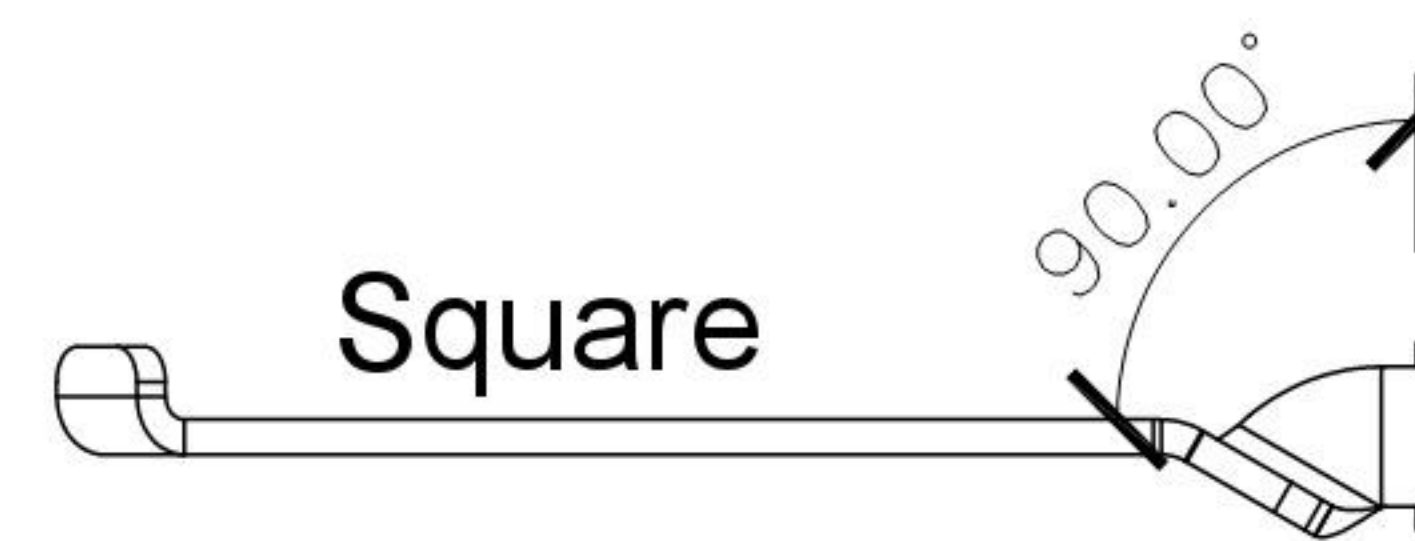
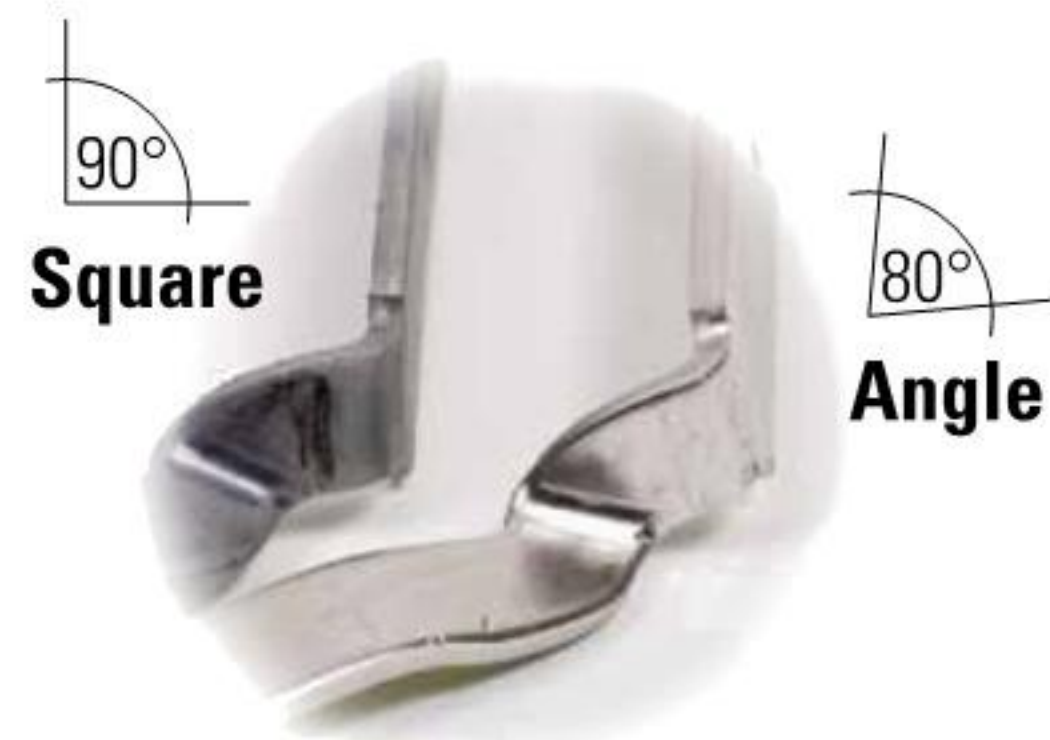
# The mini-V



We still call it the mini-V! The mini-v is available in both JVI platinum J-finish and 201L stainless steel. It is available with a square faceplate and with an angled faceplate.

## BENEFITS:

- 1" tall faceplate
- Fits in a 2" thick flange
- Ideal for field topped double tees
- Ideal for insulated wall panel alignment
- Tested in 4" and 2" thick flange thicknesses
- Tested in a 2" thick flange with 2" composite topping



## Recommended Nominal Strengths in 4" Thickness

**Cyclic In-Plane Shear With Tension (Gap = 0.1") 6.4 kips**

**Monotonic In-Plane Shear With Tension (Gap = 0.1") 10.1 kips**

**Out-of-Plane Shear with No Tension 3.5 kips**

**Tension Normal to Face Plate** is not explicitly reported due to the inherent ductility of the mini-V loaded in tension. Load displacement curves should be investigated for a tension capacity with an acceptable associated displacement.

## Recommended Nominal Strengths in 2" Thickness

**Cyclic In-Plane Shear With NO Tension 6.6 kips**

Test performed on 2" thickness with 2" topping

**Monotonic In-Plane Shear No Tension 7.0 kips**

Test performed on 2" thickness NO topping

**Out-of-Plane Shear with No Tension 2.9 kips**

Single test performed on 2" thickness NO topping

U.N.O Nominal Strengths are 5% fractile strengths calculated using the average ultimate load, and standard deviation of full-scale test results. A 5% fractile strength is the nominal strength for which there is a 90% confidence that there is a 95% probability of the actual strength exceeding the nominal strength. Please reference ACI 318 Appendix D for additional information



Flush Blockout



1/4" Blockout



3/4" Blockout



1" Blockout



**Your Connection Connection**

7131 North Ridgeway Avenue • Lincolnwood, IL 60712 USA  
847/675-1560 • Fax 847/675-0083 • 1-800-742-8127 • <http://www.jvi-inc.com>

