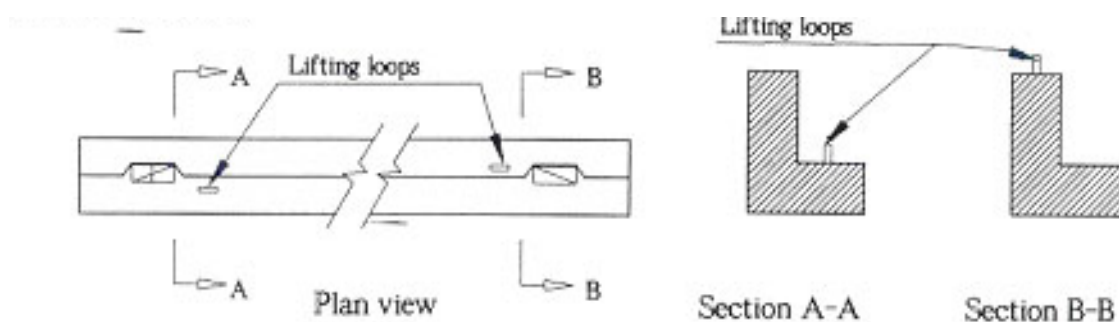


MEMO 541	Dato: 01.10.2013	Sign.: sss
BSF – PLUMB POSITION OF BEAMS	Siste rev.: 24.05.2016	Sign.:
	Dok. nr.: K4-10/541E	Control: ps
ERECTING		

BSF – PLUMB POSITION OF BEAMS

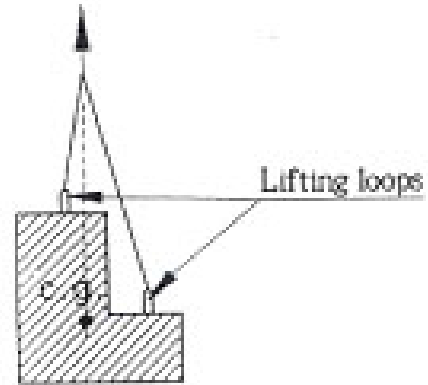
It is important that the beams are vertical when suspended from the lifting loops or any other lifting devices, in order to ease the erection process. For beams with unsymmetrical cross-section – as ledge beams – it may not be obvious how this best can be achieved.

One method is shown in the figure below. In this case, the lifting loops must be placed symmetrically with respect to the center of gravity of the beam – both in the longitudinal and transverse direction.

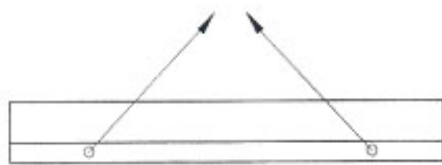


It is also possible to place two lifting loops in each end of the beam, as shown in the figure to the right. Lifting directly above the center of gravity is then achieved by adjusting the length of the straps.

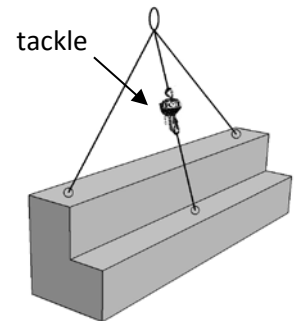
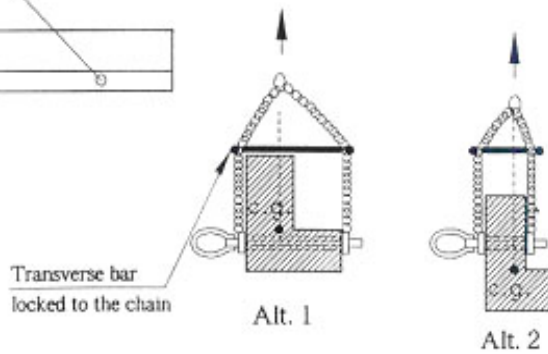
A third possibility is to make two horizontal holes through the beam. Steel rods can be inserted in these holes and used to hook on to. Plumb position of the beam can then be achieved by adjusting the lengths of the chains above the transverse bars over the beams. The transverse bars are there to prevent the chains from damaging the edges of the beam.



The chains must be of the same length from these distance holders down to where it is hooked on to the steel rod, so the distance holders should lock to the links in the chain.



Side view



Alt. 3. with tackle for adjusting the beam

REVISION HISTORY	
Date:	Description:
01.10.2013	First Edition.
24.05.2016	New template