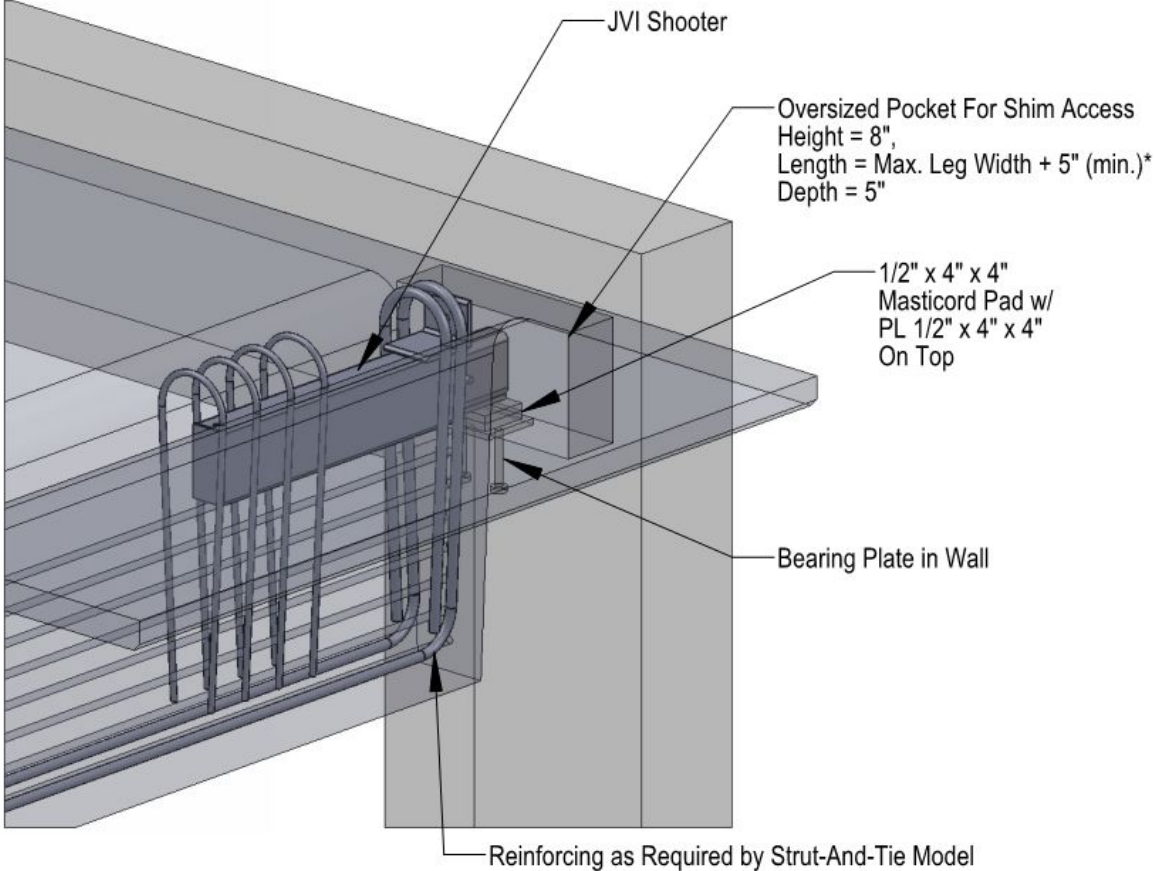


Mechanical Design Strength

Full scale test results have indicated that the Shooter has a mechanical design Strength in excess of **40,000 lbs.** The testing also indicated that a strut-and-tie model can be used to design any member using the shooter as a connection. To achieve the mechanical design capacity of the Shooter sufficient concrete must surround the shooter to develop the required compression strut capacity and reinforcing must be supplied to develop the required tension strut capacity.

Example Detailing



* For a pocket with pin access on both sides of the DT leg, the pocket width should increase to Max. Leg Width + 10" min.