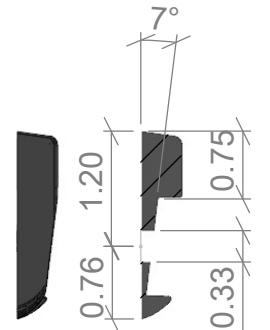
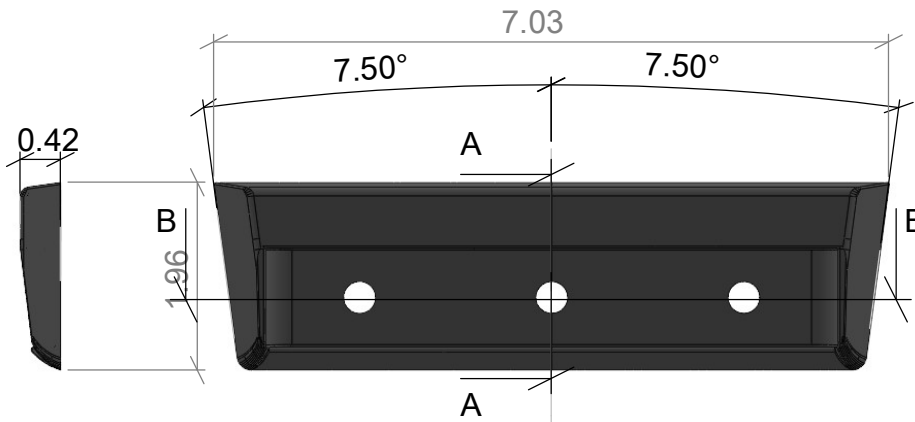
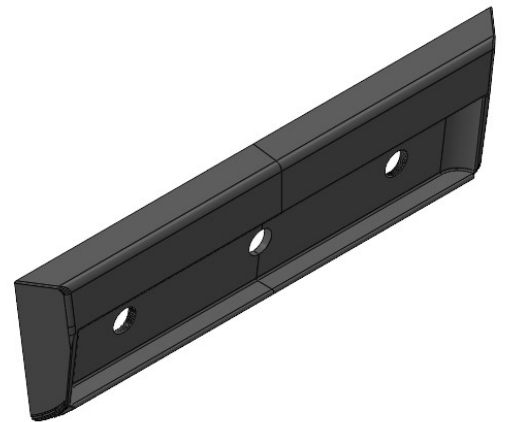


SECTION B-B



SECTION A-A

0.33 TYPICAL HOLE



NOTES:

1. UNITS ARE INCHES
2. MATERIAL IS PLYABLE PLASTIC RUBBER BLENDED COMPOUND (BLACK)
3. INTENDED TO BE USED FOR WALL PANEL APPLICATIONS.



7131 North Ridgeway Avenue
Lincolnwood, Illinois 60712 USA
Tel. 847/675-1560 - Fax 847/675-0083

3/4" Mini-V Blockout -BMV075

JVI Mini-V Blockout with 3/4" Recess From
top Surface to top of Mini-V

| | | | |
|--------------------|--------------|----------------|-------------------|
| DATE 10.22.2020 | DRAWN JVI | CHECKED --- | SCALE 6"=1'-0" |
|--------------------|--------------|----------------|-------------------|