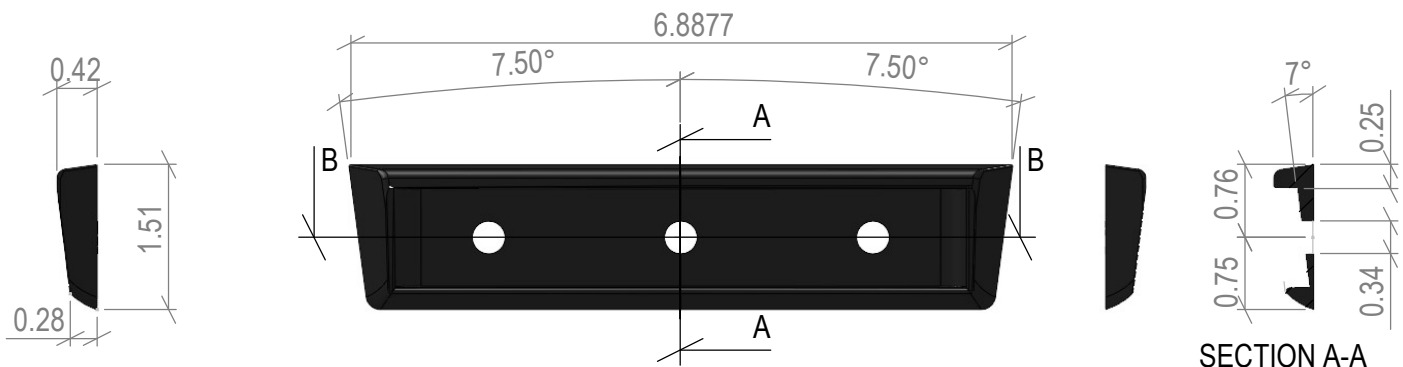
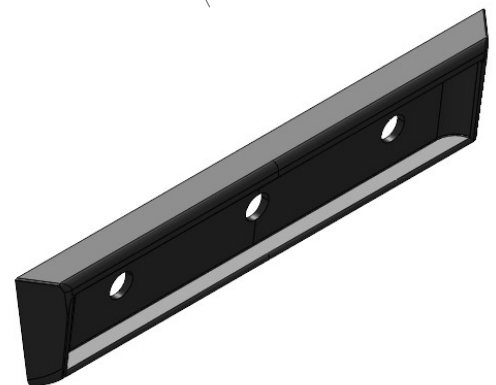
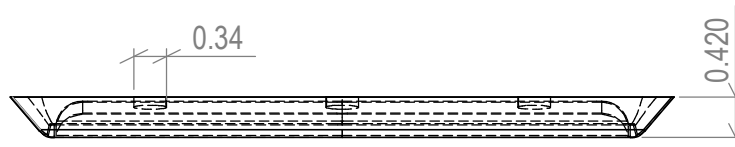


SECTION B-B



SECTION A-A



NOTES:

1. UNITS ARE INCHES
2. MATERIAL IS PLYABLE PLASTIC RUBBER BLENDED COMPOUND (BLACK)
3. INTENDED FOR 2" THICK UN-TOPPED DT FLANGE ROOF APPLICATION
4. CAN BE UTILIZED WITH WALL FORMS WITH A CONTINUOUS KEY-WAY FEATURE OR CHAMFER OF AT LEAST 1/2" TO CREATE A TOTAL DEPTH OF 3/4" TO THE TOP OF THE MINI-V



7131 North Ridgeway Avenue
 Lincolnwood, Illinois 60712 USA
 Tel. 847/675-1560 - Fax 847/675-0083

1/4" Mini-V Blockout - BMV025

JVI Mini-V Blockout with 1/4" Recess From
 top Surface to top of Mini-V

DATE
10.07.2015

DRAWN
JVI

CHECKED

SCALE
6"=1'-0"