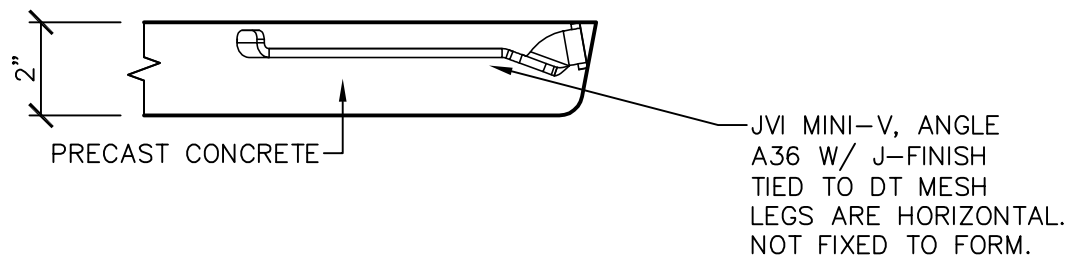
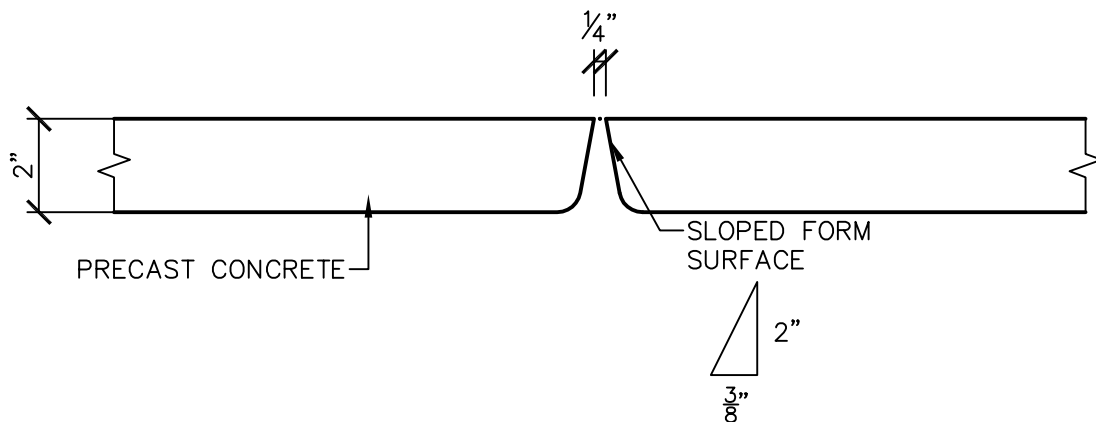


NOTES:

1. "FOR PRECAST SYSTEMS THAT ARE TOPPED IN THE FIELD, JOINTS SHOULD BE HAND-TOOLED, NOT SAW-CUT AT A LATER TIME, SO AS TO REFLECT THE JOINTS TOOLED BETWEEN ALL OF THE PRECAST MEMBERS UNDER THE TOPPING. THE TYPICAL TOOLED JOINT IS 3/4" DEEP AND 1/2" WIDE AND IS FILLED WITH SEALANT TO PROVIDE WATER TIGHTNESS" (PARKING STRUCTURES; RECOMMENDED PRACTICE FOR DESIGN AND CONSTRUCTION, PCI MNL-129-98 P. 9-65)



PLANT AS CAST CONDITION



PRECAST FORM GEOMETRY



7131 North Ridgeway Avenue
Lincolnwood, Illinois 60712 USA
Tel. 847/675-1560 - Fax 847/675-0083

ANGLE MINI V W/ J-FINISH

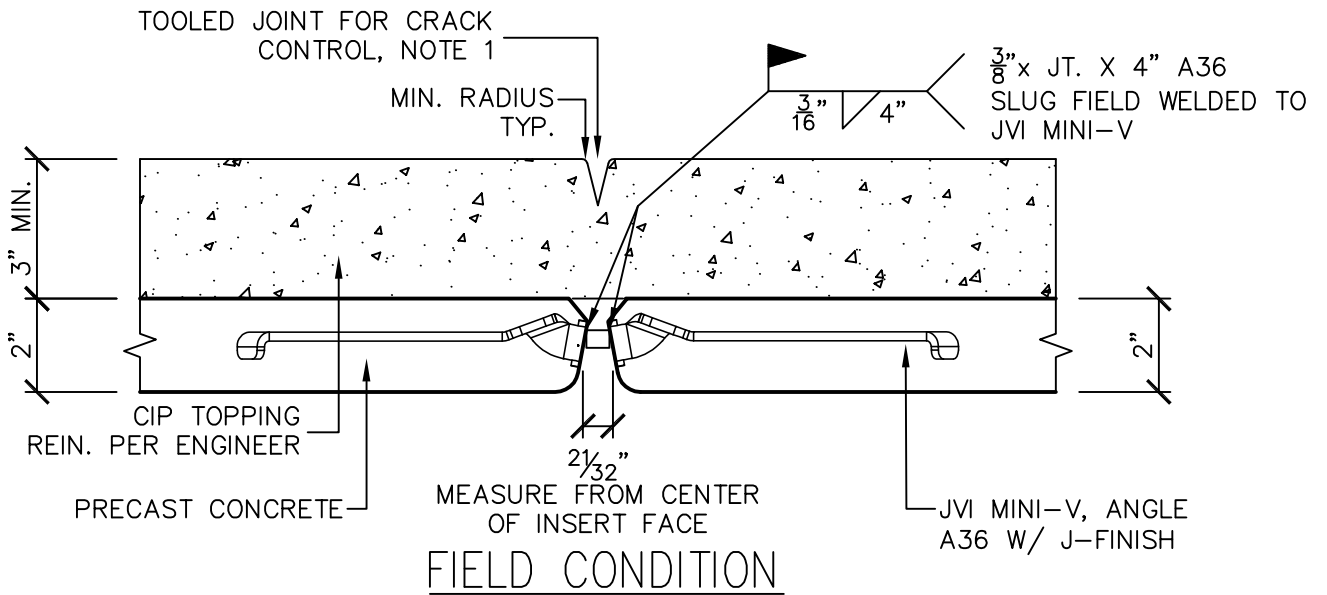
MINI V W/ FLUSH BLOCKOUT
FIELD TOPPED CONDITION

DATE
02.12.2014

DRAWN
JM

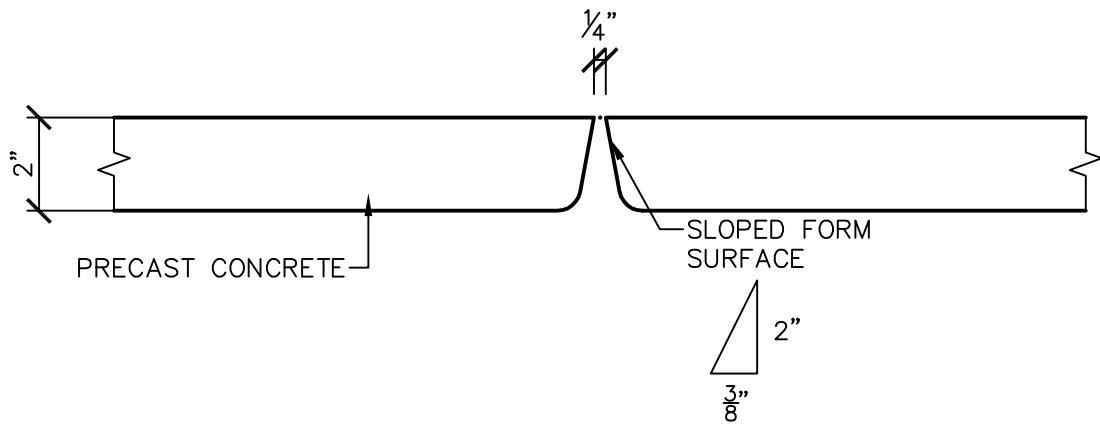
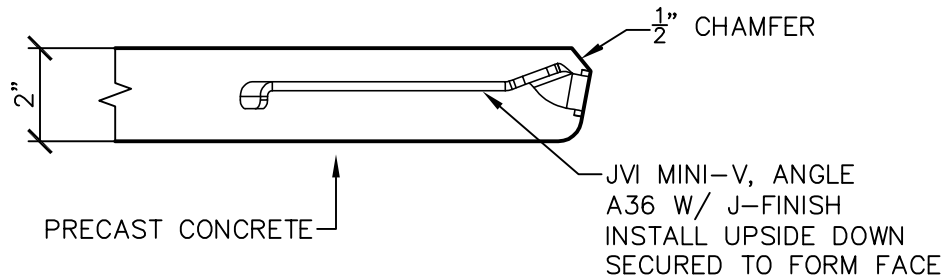
CHECKED

SCALE



NOTES:

1. "FOR PRECAST SYSTEMS THAT ARE TOPPED IN THE FIELD, JOINTS SHOULD BE HAND-TOOLED, NOT SAW-CUT AT A LATER TIME, SO AS TO REFLECT THE JOINTS TOOLED BETWEEN ALL OF THE PRECAST MEMBERS UNDER THE TOPPING. THE TYPICAL TOOLED JOINT IS $\frac{3}{4}$ " DEEP AND $\frac{1}{2}$ " WIDE AND IS FILLED WITH SEALANT TO PROVIDE WATER TIGHTNESS" (PARKING STRUCTURES; RECOMMENDED PRACTICE FOR DESIGN AND CONSTRUCTION, PCI MNL-129-98 P. 9-65)



7131 North Ridgeway Avenue
Lincolnwood, Illinois 60712 USA
Tel. 847/675-1560 - Fax 847/675-0083

ANGLE MINI V W/ J-FINISH

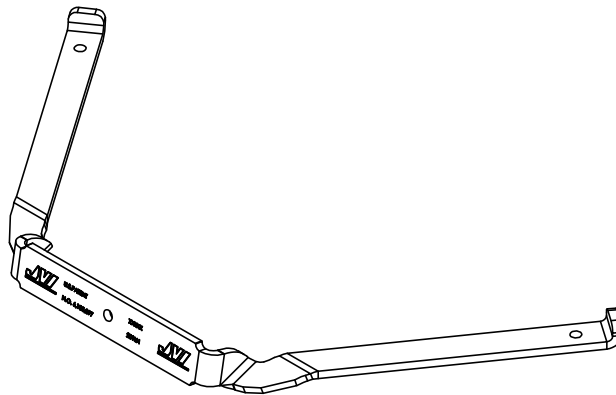
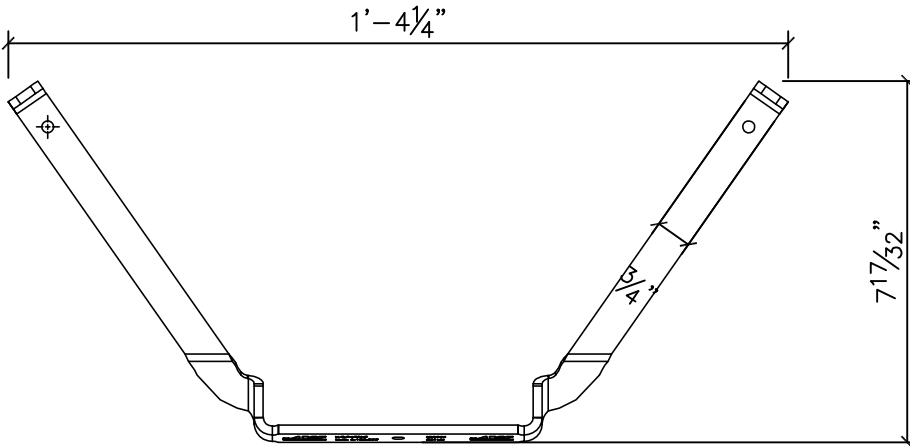
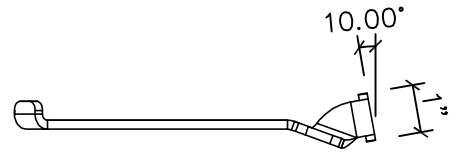
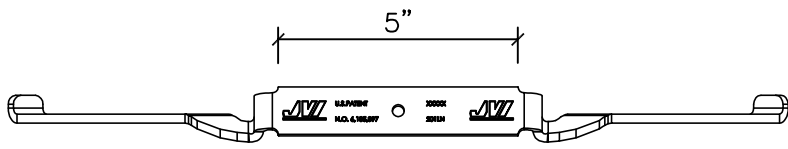
MINI V FLUSH 180°
FIELD TOPPED CONDITION

DATE
02.12.2014

DRAWN
JM

CHECKED

SCALE



Lincolnwood, Illinois 60712 USA
 Tel. 847/675-1560 - Fax 847/675-0083

JVI MINI-V ANGLE

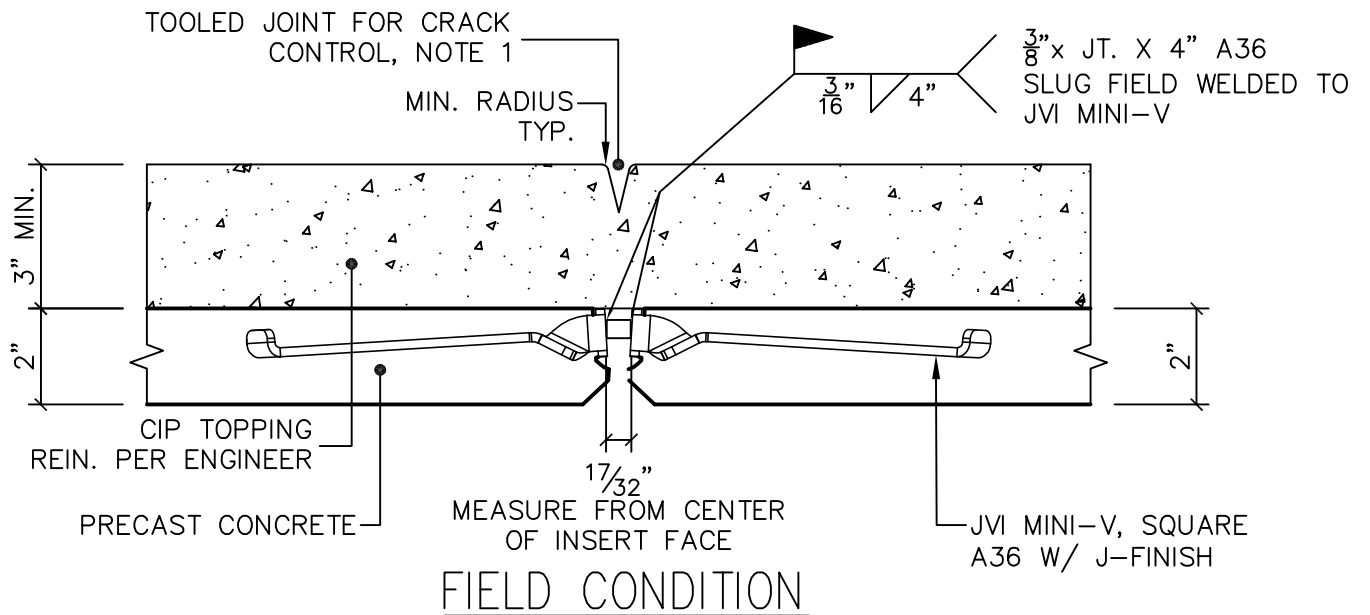
FLEXIBLE SHEAR CONNECTOR

DATE
 02.12.2014

DRAWN
 JVI

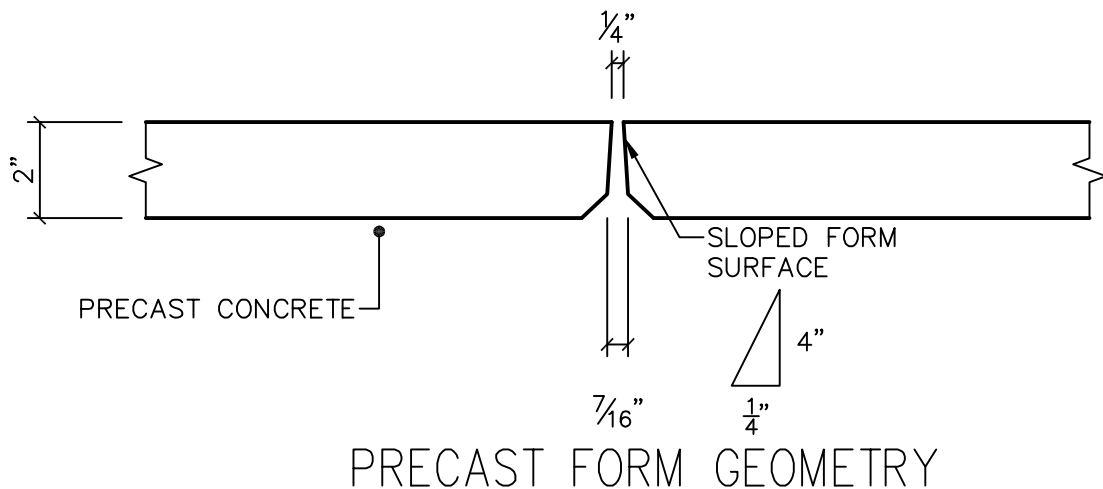
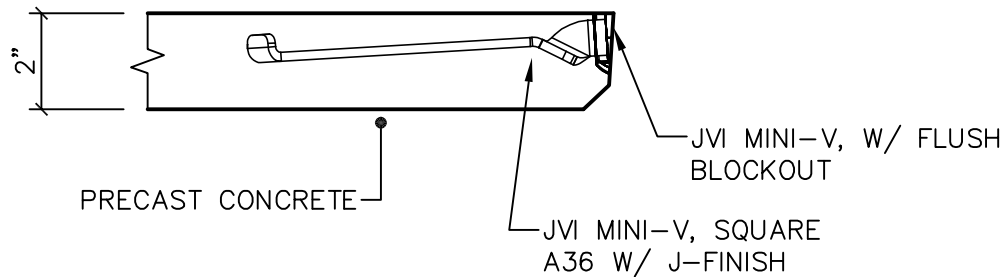
CHECKED

SCALE



NOTES:

1. "FOR PRECAST SYSTEMS THAT ARE TOPPED IN THE FIELD, JOINTS SHOULD BE HAND-TOOLED, NOT SAW-CUT AT A LATER TIME, SO AS TO REFLECT THE JOINTS TOOLED BETWEEN ALL OF THE PRECAST MEMBERS UNDER THE TOPPING. THE TYPICAL TOOLED JOINT IS 3/4" DEEP AND 1/2" WIDE AND IS FILLED WITH SEALANT TO PROVIDE WATER TIGHTNESS" (PARKING STRUCTURES; RECOMMENDED PRACTICE FOR DESIGN AND CONSTRUCTION, PCI MNL-129-98 P. 9-65)



7131 North Ridgeway Avenue
 Lincolnwood, Illinois 60712 USA
 Tel. 847/675-1560 - Fax 847/675-0083

SQUARE MINI V W/ J-FINISH

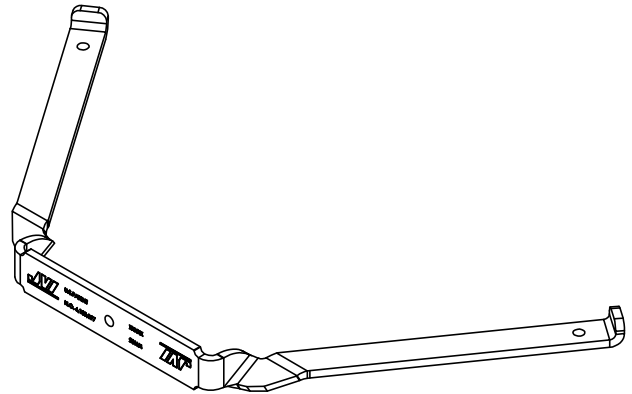
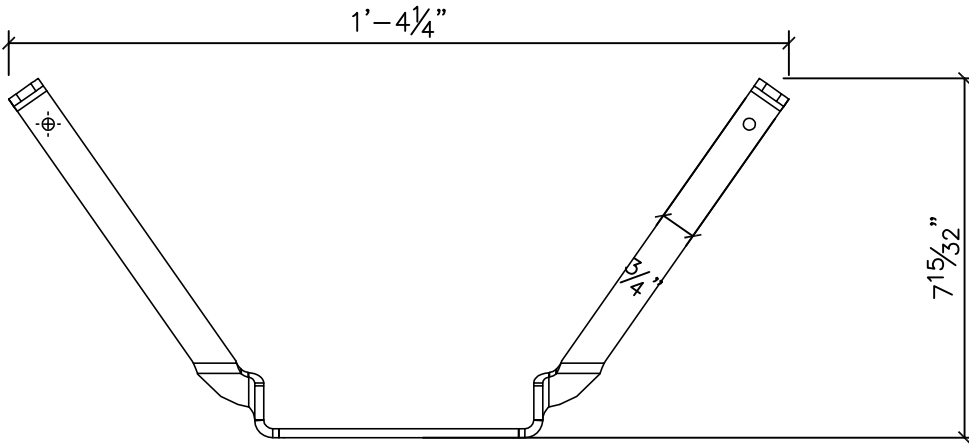
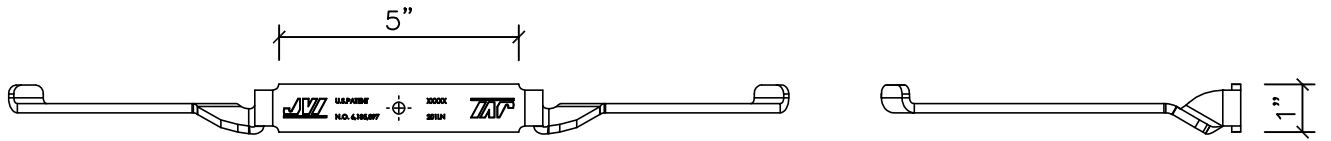
MINI V W/ FLUSH BLOCKOUT
 FIELD TOPPED CONDITION

DATE
 02.12.2014

DRAWN
 JVI

CHECKED

SCALE



Lincolnwood, Illinois 60712 USA
 Tel. 847/675-1560 - Fax 847/675-0083

JVI MINI-V SQUARE

FLEXIBLE SHEAR CONNECTOR

DATE
 02.12.2014

DRAWN
 JVI

CHECKED

SCALE