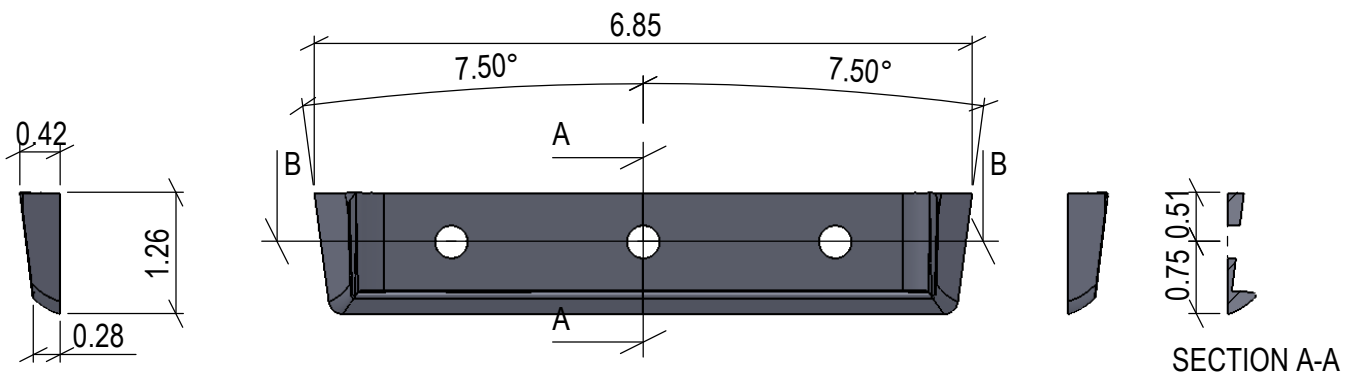
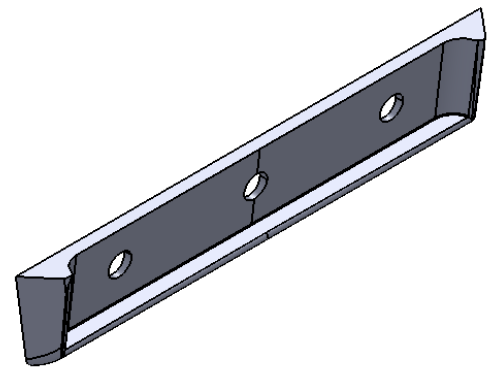
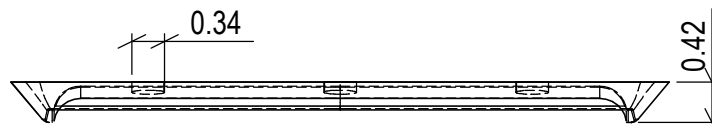


SECTION B-B



SECTION A-A



7131 North Ridgeway Avenue
 Lincolnwood, Illinois 60712 USA
 Tel. 847/675-1560 - Fax 847/675-0083

Flush Mini-V Blockout

JVI Mini-V Blockout with Flush with
 top Surface to top of Mini-V

DATE
 10.07.2015

DRAWN
 JVI

CHECKED

SCALE
 6"=1'-0"