

A ELEVATION—HIDDEN LINES REMOVED



7131 North Ridgeway Avenue  
Lincolnwood, Illinois 60712 USA  
TEL. 1-800-742-8127 - FAX 847-675-0083

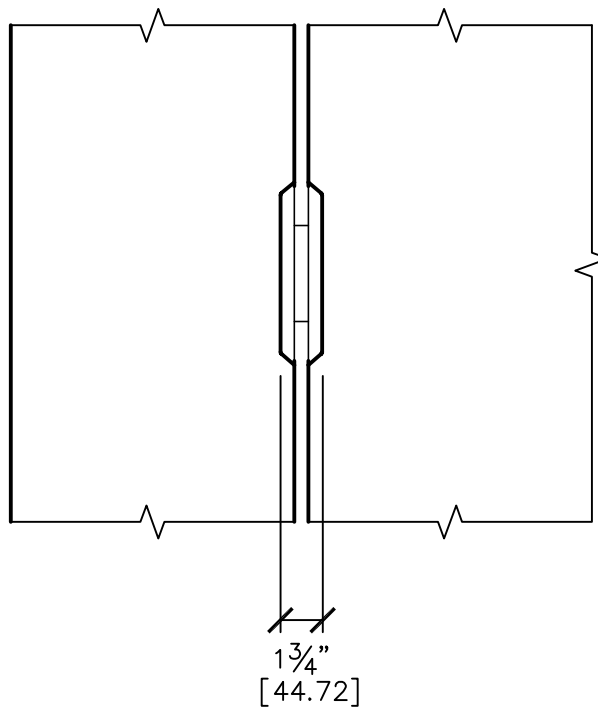
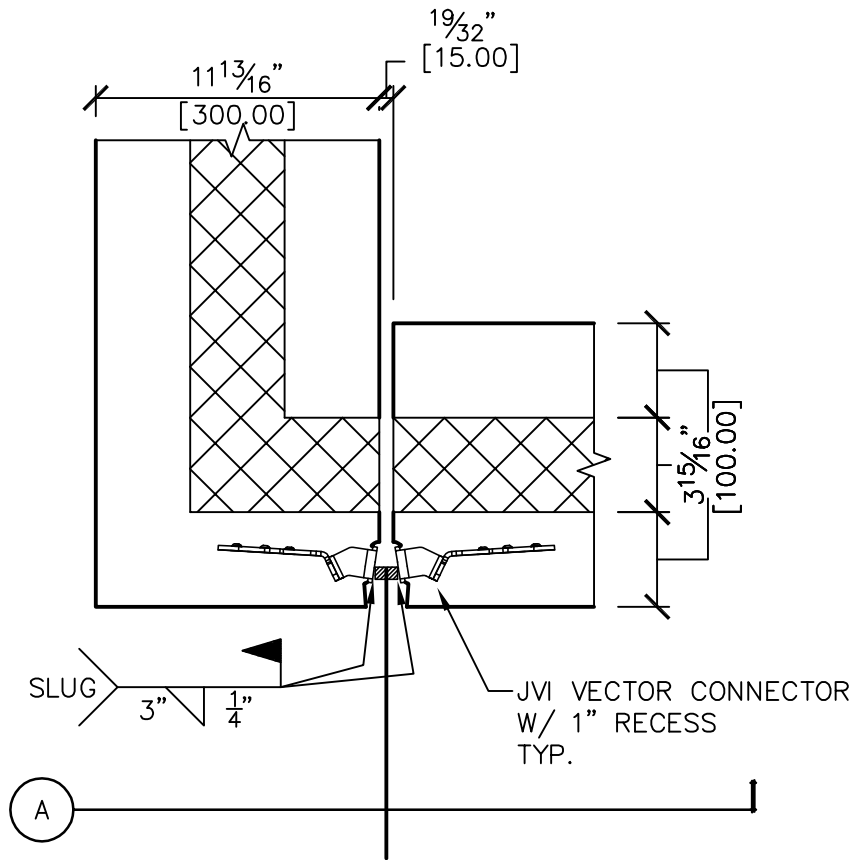
EXAMPLE DETAIL

WALL TO WALL @ VERTICAL  
JOINT



1

DATE 07.07.2014	DRAWN JM	CHECKED —	SCALE 1 1/2" = 1'
--------------------	-------------	--------------	----------------------



A ELEVATION—HIDDEN LINES REMOVED



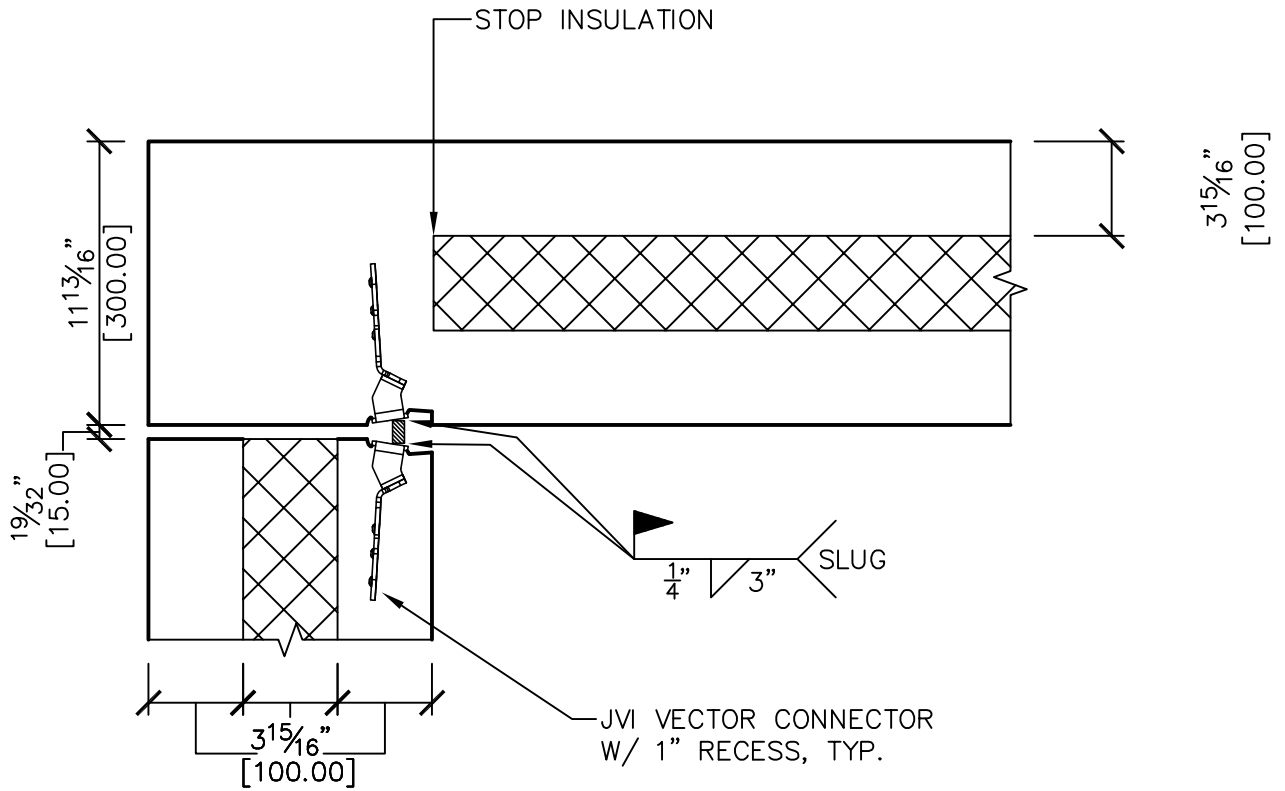
7131 North Ridgeway Avenue  
Lincolnwood, Illinois 60712 USA  
TEL. 1-800-742-8127 - FAX 847-675-0083

EXAMPLE DETAIL

WALL TO WALL @ EXTERIOR  
CORNER



DATE 07.07.2014	DRAWN JVI	CHECKED ---	SCALE 1 1/2" = 1'
--------------------	--------------	----------------	----------------------



7131 North Ridgeway Avenue  
Lincolnwood, Illinois 60712 USA  
TEL. 1-800-742-8127 - FAX 847-675-0083

EXAMPLE DEETAIL

WALL TO WALL @ INTERIOR  
CORNER



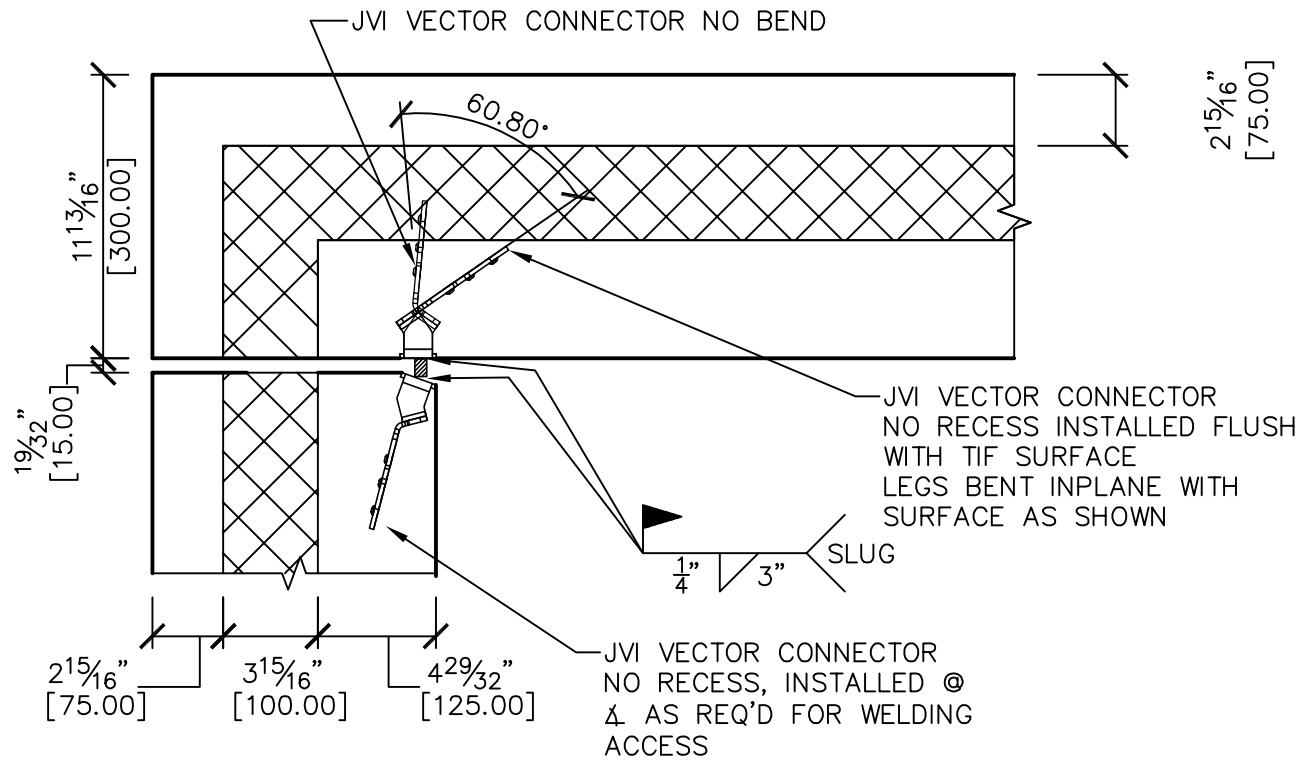
3

DATE  
07.07.2014

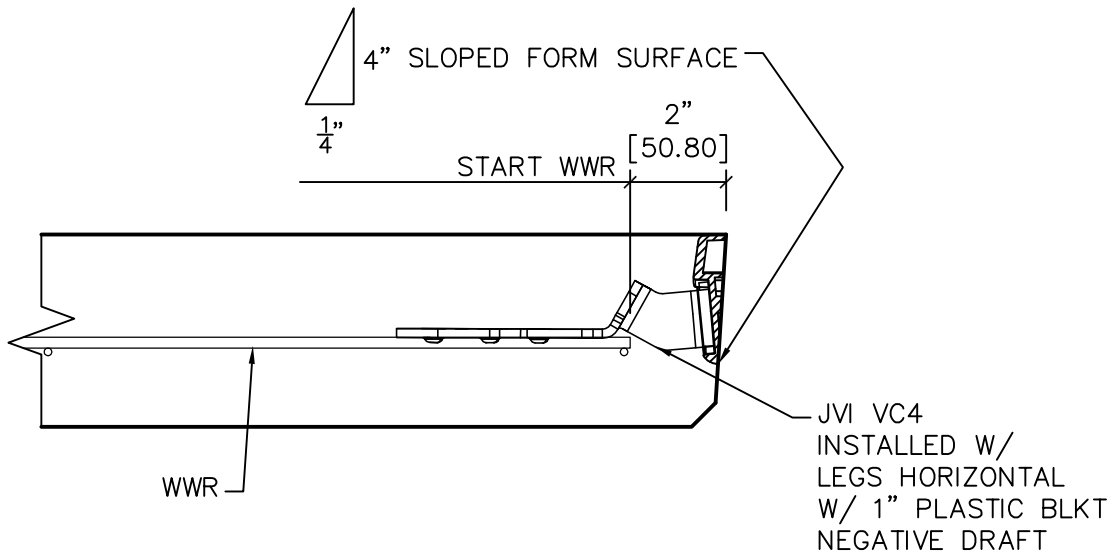
DRAWN  
JVI

CHECKED  
—

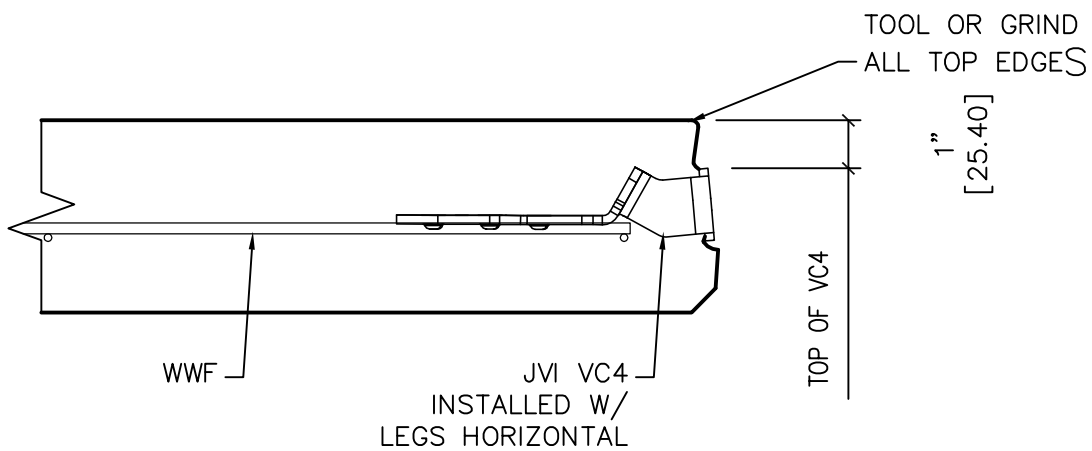
SCALE  
 $1\frac{1}{2}$ "=1'



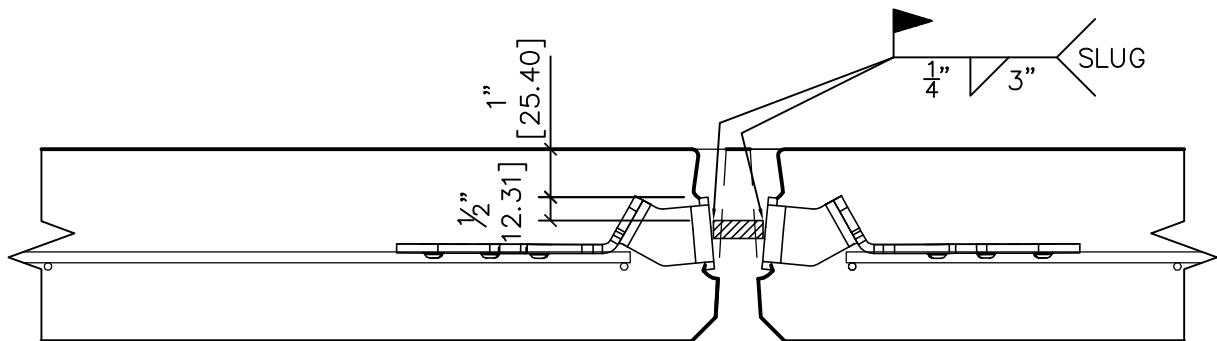
DESIGN NOTE:  
 THE BENT LEG CFIGURTION HAS NOT BEEN SPECIFICALLY TESTED. APPLY ENGINEERING JUDGEMENT WITH REGARD TO RECOMMENDED CAPACITIES.



AS CAST IN FORM



REMOVED FROM FORM



FIELD CONDITION

ERECTION NOTE:  
WELDING THRU HOLE IN VC4 IS  
ACCEPTABLE AND REQUIRES NO  
ADDITIONAL WELD



7131 North Ridgeway Avenue  
Lincolnwood, Illinois 60712 USA  
TEL. 1-800-742-8127 - FAX 847-675-0083

EXAMPLE DETAIL

PRETOPPED DOUBLE TEE  
FLANGE CONNECTION



5

DATE  
07.07.2014

DRAWN  
JM

CHECKED  
---

SCALE  
 $1\frac{1}{2}" = 1'$