

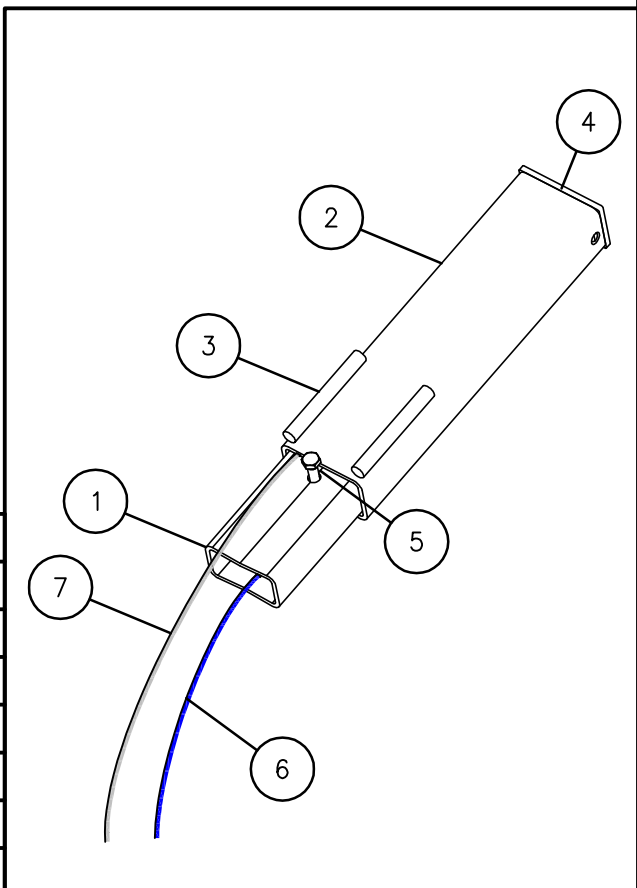
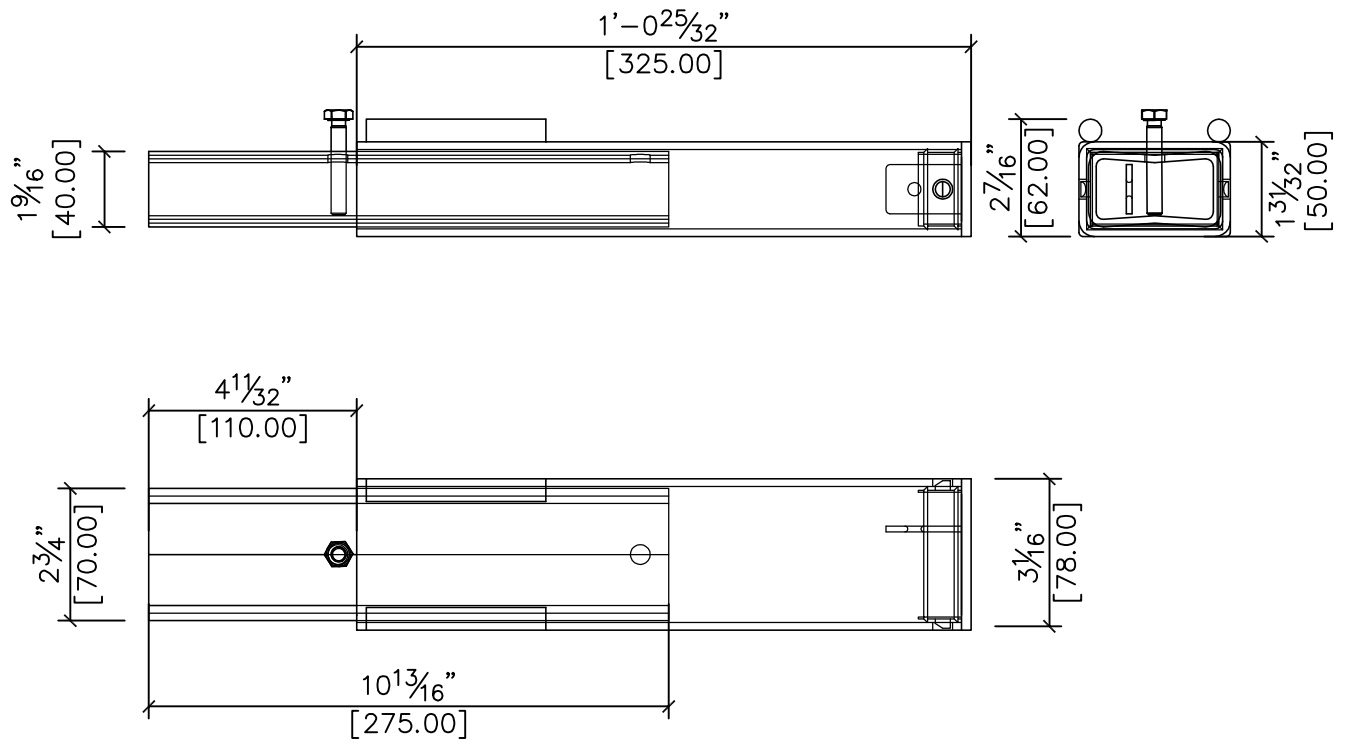
Part No.	Description	QTY.
1	INNER TUBE	1
2	OUTER TUBE	1
3	HALF ROUND STEEL	2
4	PLASTIC LID	1
5	LOCKING SCREW	1
6	PULL IN ROPE	1
7	PULL OUT WIRE	1



7131 North Ridgeway Avenue
 Lincolnwood, Illinois 60712 USA
 TEL. 1-800-742-8127 - FAX 847-675-0083

DATE 06.30.2014	DRAWN JVI	CHECKED ---	SCALE 3"=1'
---------------------------	---------------------	----------------	-----------------------

TSS 101
 STAIR AND FLAT
 SLAB CONNECTION



Part No.	Description	QTY.
1	INNER TUBE	1
2	OUTER TUBE	1
3	ROUND STEEL	2
4	PLASTIC LID	1
5	LOCKING SCREW	1
6	PULL IN ROPE	1
7	PULL OUT WIRE	1



7131 North Ridgeway Avenue
 Lincolnwood, Illinois 60712 USA
 TEL. 1-800-742-8127 - FAX 847-675-0083

TSS 41G

STAIR AND FLAT
 SLAB CONNECTION

DATE	DRAWN	CHECKED	SCALE
06.30.2014	JM	---	3"=1'