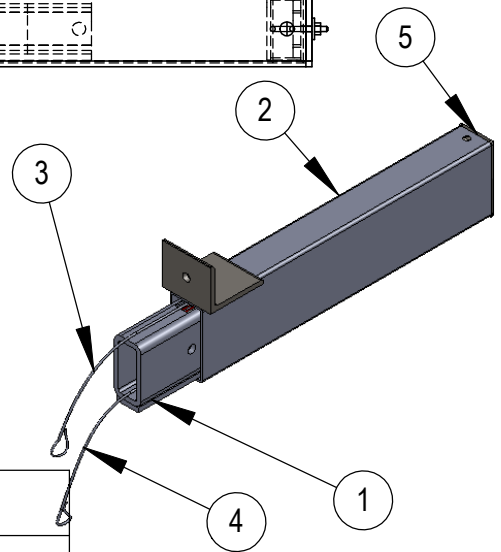


NOTES:

1. ALL STEEL IS GALVANIZED ACCORDING TO NS-EN ISO 1461
2. SECURE AND SEAL PLASTIC END CAP WITH CONTRACTOR GRADE DUCT TAPE AFTER INSTALLING ROPES



PART LIST

ITEM	DESCRIPTION	MATERIAL	CUTTING LENGTH	QTY	WT. LBS
1	INNER TUBE			1	19.6
2	OUTER TUBE			1	11.7
3	WIRE ROPE W/ LOOPED ENDS	STEEL CABLE	1500	1	
4	BLUE ROPE W/ LOOPED ENDS	NYLON	1500	1	
5	TAPE	SEE NOTE 2		1	

TOTAL WEIGHT : 31.3 LBS

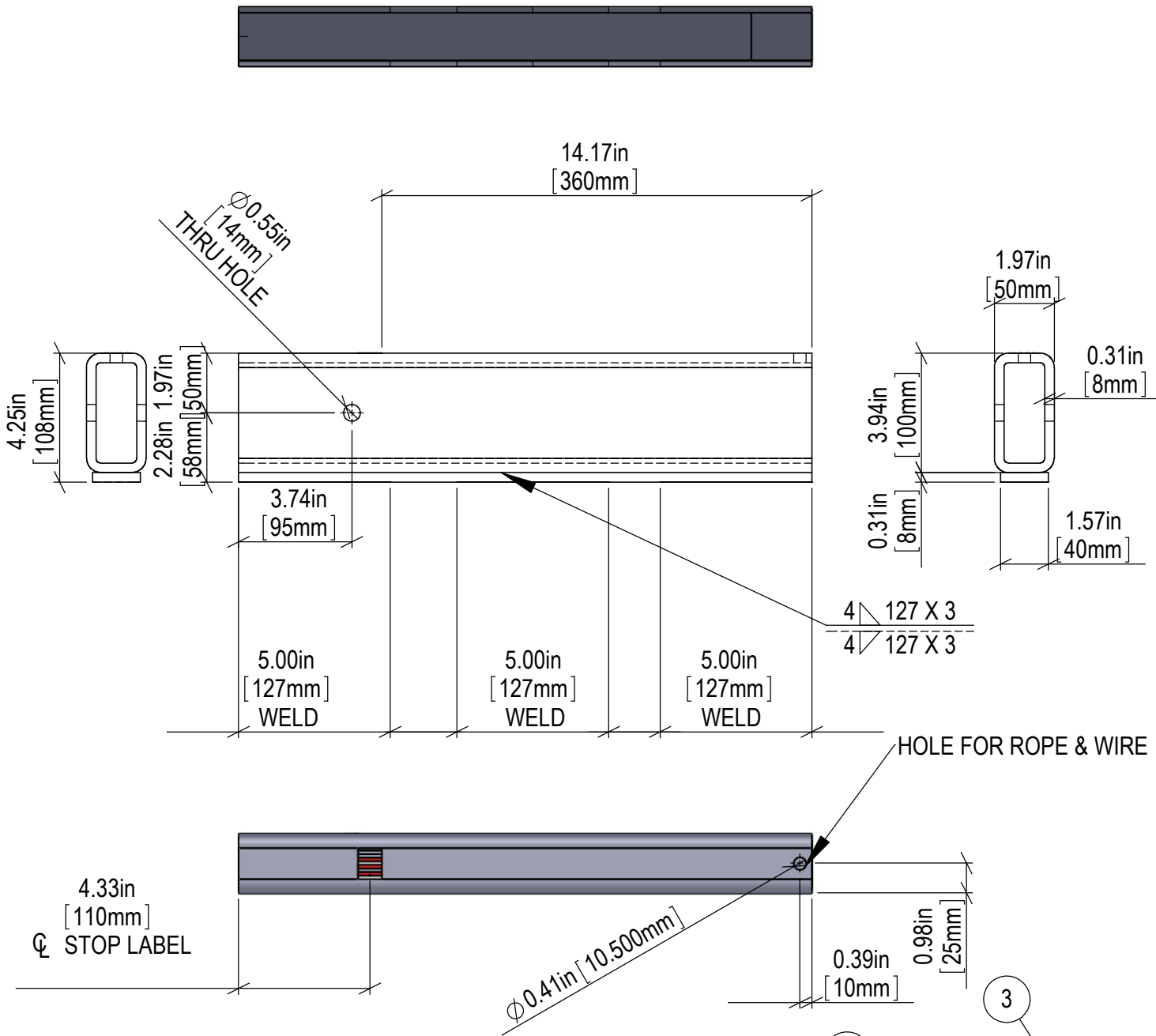


7131 North Ridgeway Avenue
 Lincolnwood, Illinois 60712 USA
 Tel. 847/675-1560 - Fax 847/675-0083

JVI DT SHOOTER

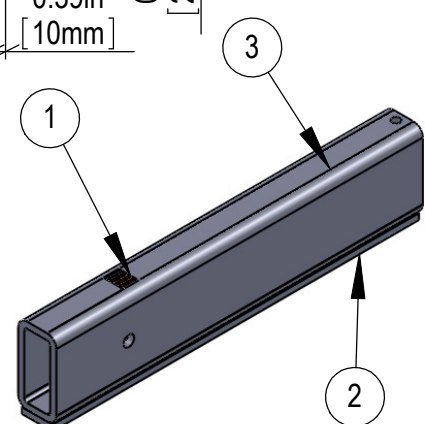
**INNER AND OUTER TUBE ASSEMBLED
 WITH WIRE AND ROPE**

DATE 09.07.2017	DRAWN JVI	CHECKED ---	SCALE ---
--------------------	--------------	----------------	--------------



PART LIST

ITEM	DESCRIPTION	MATERIAL	CUTTING L	QTY	WT. LBS
1	TS 100X50X8 L=480	S355	480	1	16.9
2	FLAT BAR 40X8 L=480	S355	480	1	2.7
3	STOP LABEL			1	



TOTAL WEIGHT : 19.6 LBS

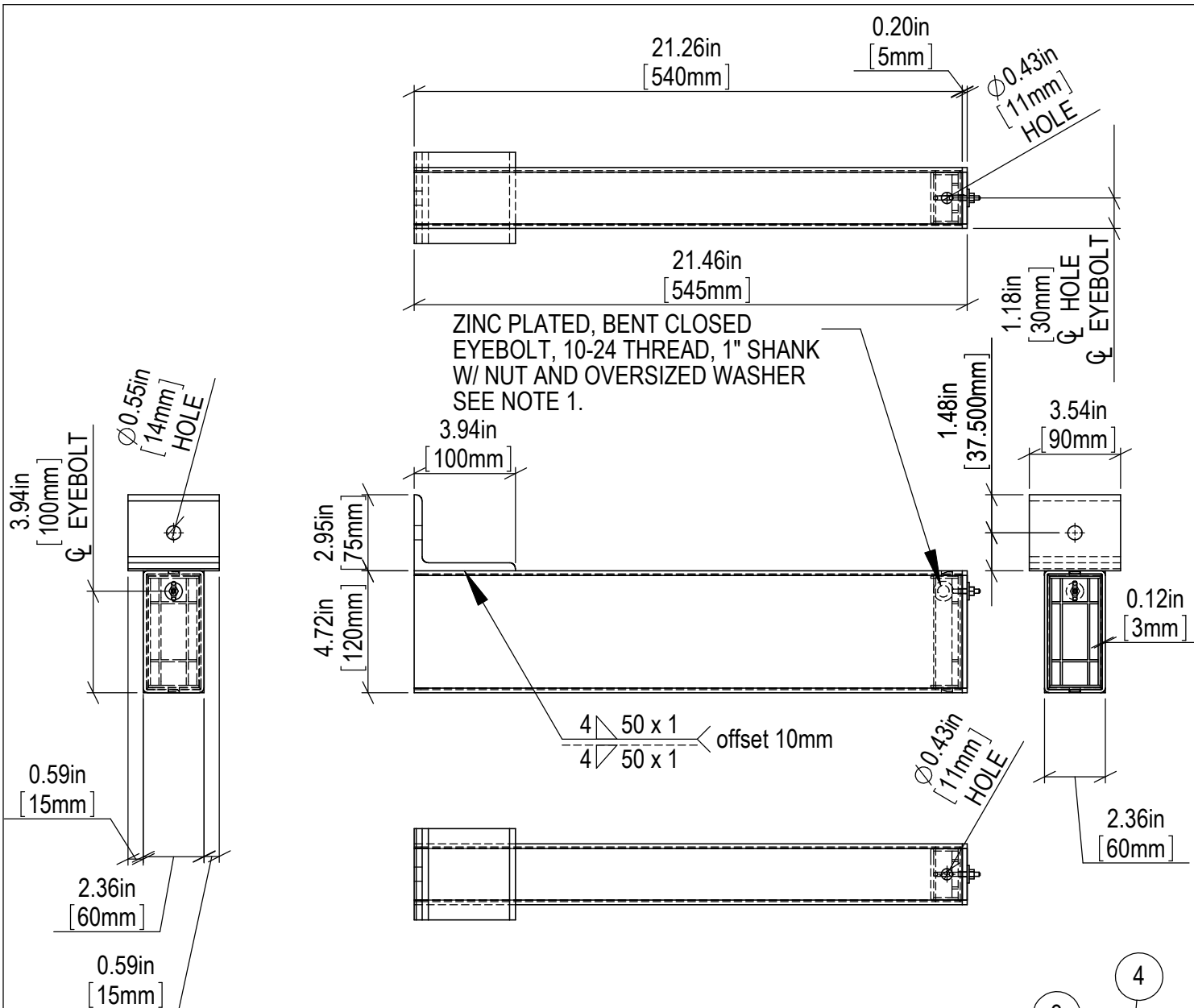


7131 North Ridgeway Avenue
Lincolnwood, Illinois 60712 USA
Tel. 847/675-1560 - Fax 847/675-0083

JVI DT SHOOTER

INNER TUBE

DATE 09.07.2017	DRAWN JVI	CHECKED ---	SCALE ---
--------------------	--------------	----------------	--------------



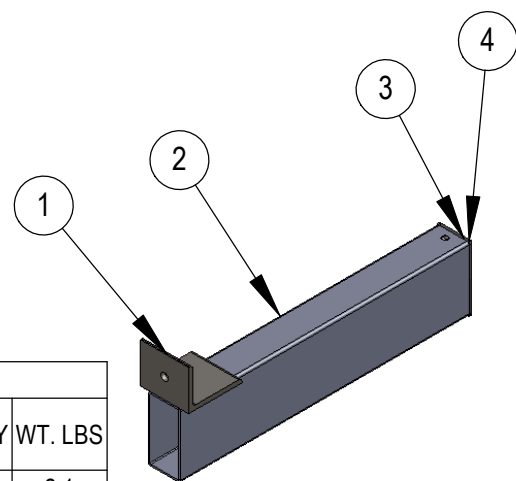
NOTES:

1. PLASTIC LID REQUIRES EYEBOLT, NUT AND WASHER FOR STRING ATTACHMENT

PART LIST

ITEM	DESCRIPTION	MATERIAL	CUTTING LENGTH	QTY	WT. LBS
1	L 100X75X8 L=90	S355	90	1	2.1
2	TS 120X60X3 L=540	S355	540	1	9.6
3	PLASTIC TOP (SEE NOTE 1)			1	
4	EYEBOLT, 10-24 THREAD, 1" SHANK W/ NUT AND WASHER	ZINC PLATED STEEL		1	

TOTAL WEIGHT : 11.7 LBS



	7131 North Ridgeway Avenue Lincolnwood, Illinois 60712 USA Tel. 847/675-1560 - Fax 847/675-0083			JVI DT SHOOTER	
	DATE 09.07.2017 DRAWN JVI CHECKED _____ SCALE _____			OUTER TUBE	