

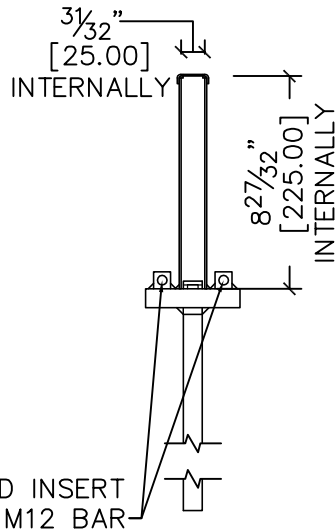
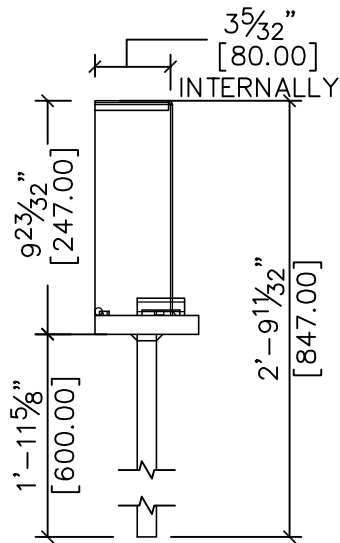
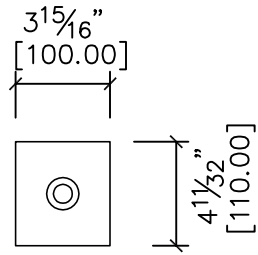
Part No.	Description	QTY.
1	S355 STEEL PL	1
—	—	—
—	—	—
—	—	—
—	—	—
—	—	—
—	—	—

JVI INC. 7131 North Ridgeway Avenue
 Lincolnwood, Illinois 60712 USA
 TEL. 1-800-742-8127 - FAX 847-675-0083

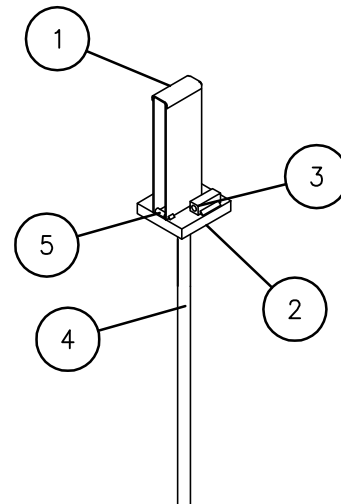
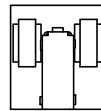
DATE 01.22.2015	DRAWN JM	CHECKED _____	SCALE 1 1/2" = 1'
---------------------------	--------------------	------------------	-----------------------------

BSF CONNECTION 225

**BSF CONNECTION
KNIFE PLATE**



THREADED INSERT
ACCEPTS M12 BAR



Part No.	Description	QTY.
1	U-CHANNEL	1
2	STEEL PLATE	1
3	THREADED INSERT	2
4	20MX600mm REBAR	1
5	ROUND BAR	1
—	—	—
—	—	—



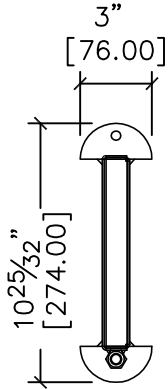
7131 North Ridgeway Avenue
Lincolnwood, Illinois 60712 USA
TEL. 1-800-742-8127 - FAX 847-675-0083

BSF CONNECTION 225

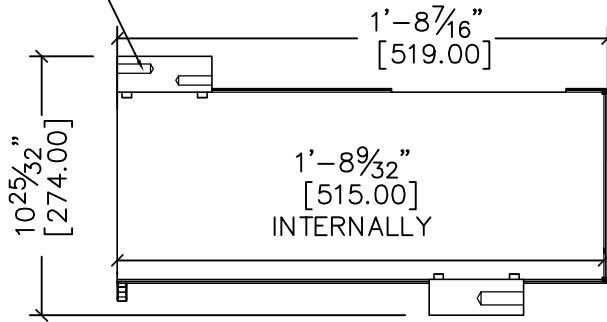
BSF CONNECTION
COLUMN BOX

DATE	DRAWN	CHECKED	SCALE
01.22.2015	JM	—	1 1/2" = 1'

M-12 THREADED HOLE FOR FORM ATTACHMENT



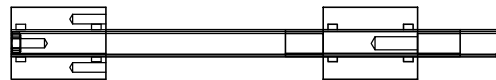
THREADED HOLE FOR M-12 X 650mm BAR W/NUT



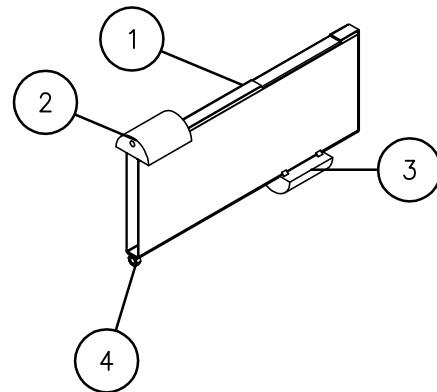
3 1/32" [25.00] INTERNALLY

7 25/32" [198.00] INTERNALLY

THREADED HOLE FOR M-16 X 350mm BAR W/NUT



Part No.	Description	QTY.
1	EXTERIOR TUBE	1
2	HALF ROUND STEEL	1
3	HALF ROUND STEEL	1
4	M12 NUT, GRADE 8.8	1
—	—	1
—	—	—
—	—	—



7131 North Ridgeway Avenue
Lincolnwood, Illinois 60712 USA
TEL. 1-800-742-8127 - FAX 847-675-0083

BSF CONNECTION 225

BSF CONNECTION
BEAM BOX

DATE	DRAWN	CHECKED	SCALE
01.22.2015	JM	—	1 1/2" = 1'