

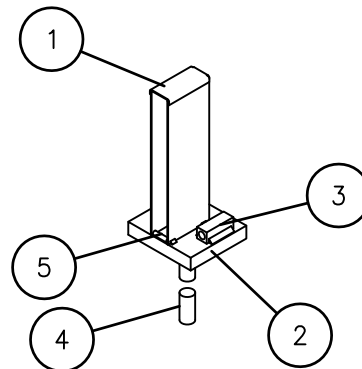
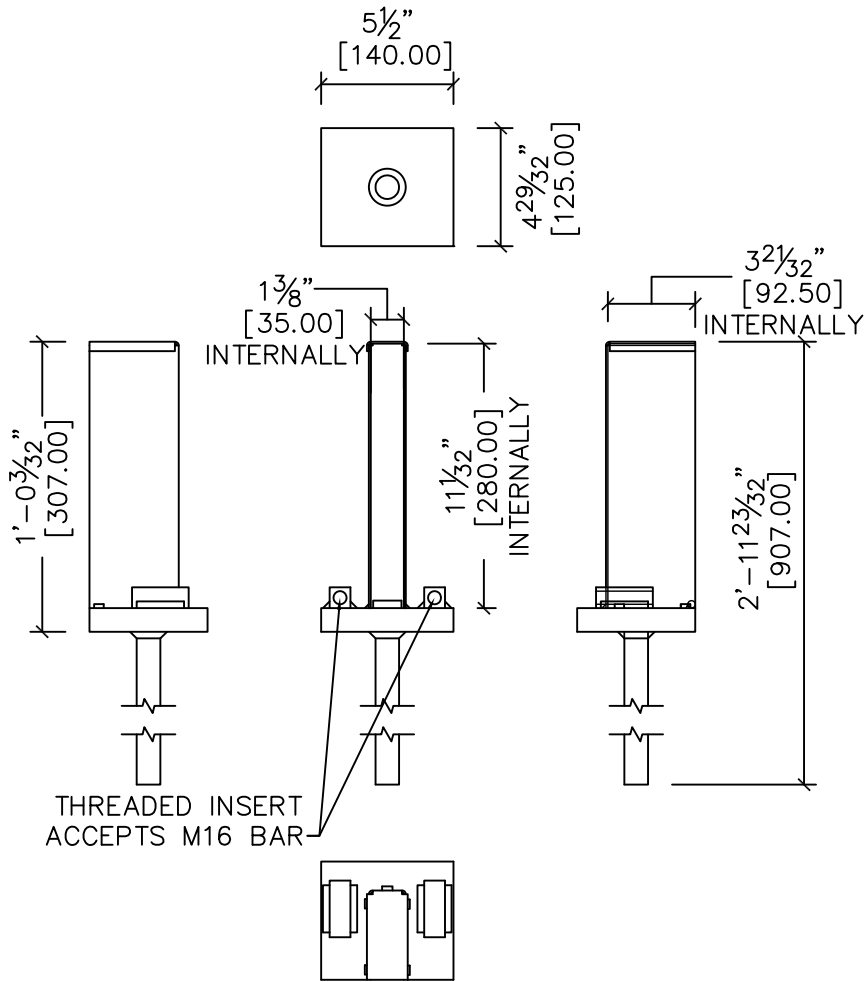
Part No.	Description	QTY.
1	S355 STEEL PL	1
—	—	—
—	—	—
—	—	—
—	—	—
—	—	—
—	—	—

JVI INC. 7131 North Ridgeway Avenue
 Lincolnwood, Illinois 60712 USA
 TEL. 1-800-742-8127 - FAX 847-675-0083

DATE 01.22.2015	DRAWN JVI	CHECKED ---	SCALE 1 1/2" = 1'
---------------------------	---------------------	----------------	-----------------------------

BSF CONNECTION 450

**BSF CONNECTION
KNIFE PLATE**



Part No.	Description	QTY.
1	U-CHANNEL	1
2	STEEL PLATE	1
3	THREADED INSERT	2
4	25MX600mm REBAR	1
5	ROUND BAR	1
—	—	—
—	—	—

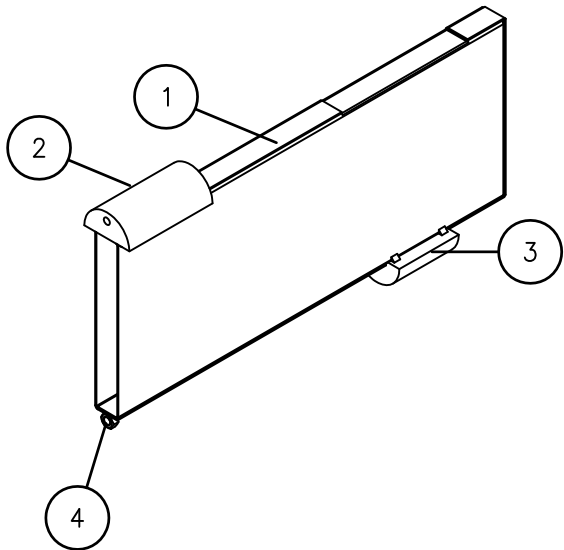
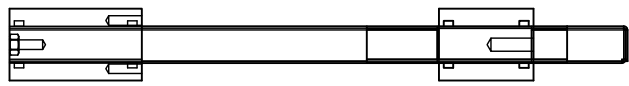
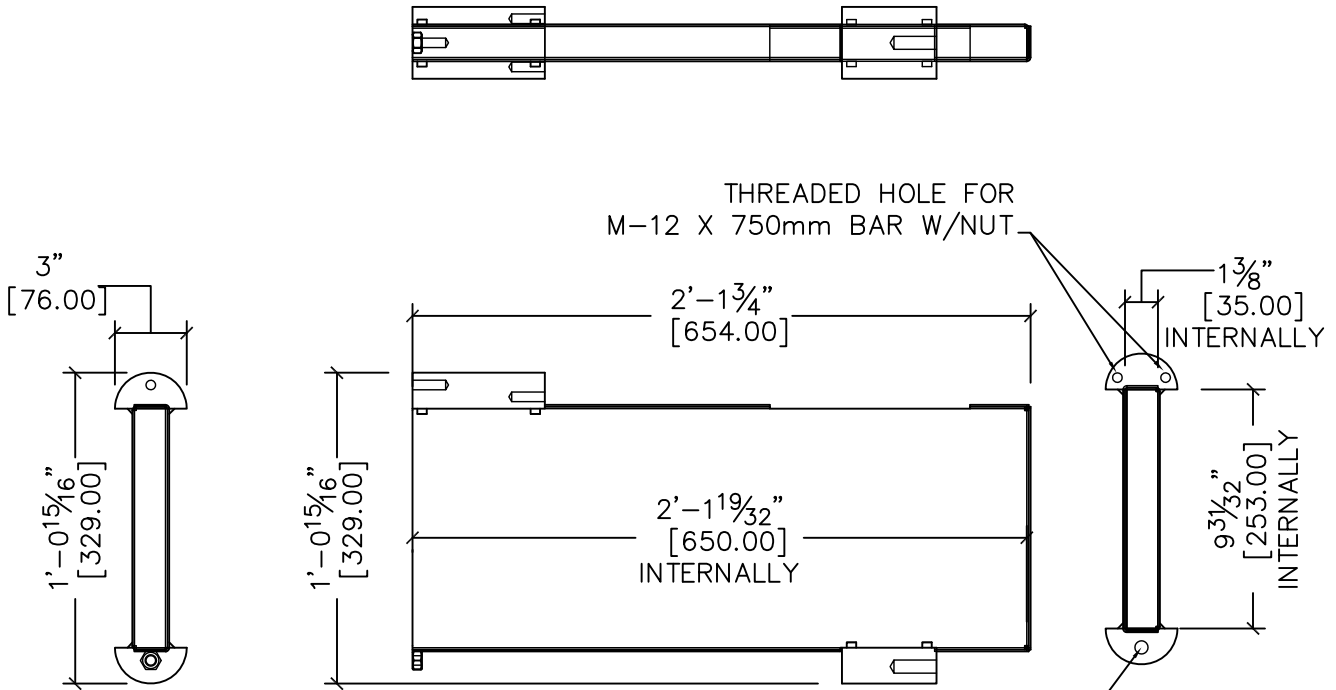


7131 North Ridgeway Avenue
 Lincolnwood, Illinois 60712 USA
 TEL. 1-800-742-8127 - FAX 847-675-0083

BSF CONNECTION 450

BSF CONNECTION
 COLUMN BOX

DATE	DRAWN	CHECKED	SCALE
01.22.2015	JVI	---	1 1/2" = 1'



Part No.	Description	QTY.
1	EXTERIOR TUBE	1
2	HALF ROUND STEEL	1
3	HALF ROUND STEEL	1
4	M12 NUT, GRADE 8.8	1
—	—	1
—	—	—
—	—	—



7131 North Ridgeway Avenue
 Lincolnwood, Illinois 60712 USA
 TEL. 1-800-742-8127 - FAX 847-675-0083

BSF CONNECTION 450

BSF CONNECTION
 BEAM BOX

DATE	DRAWN	CHECKED	SCALE
01.22.2015	JVI	---	1 ¹ / ₂ "=1'