
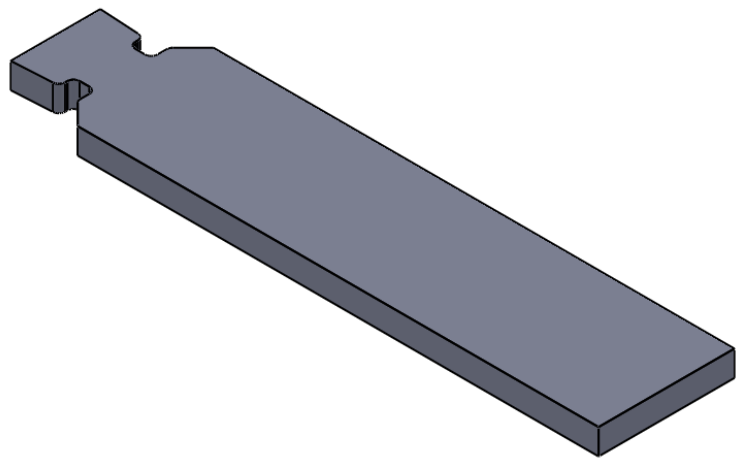
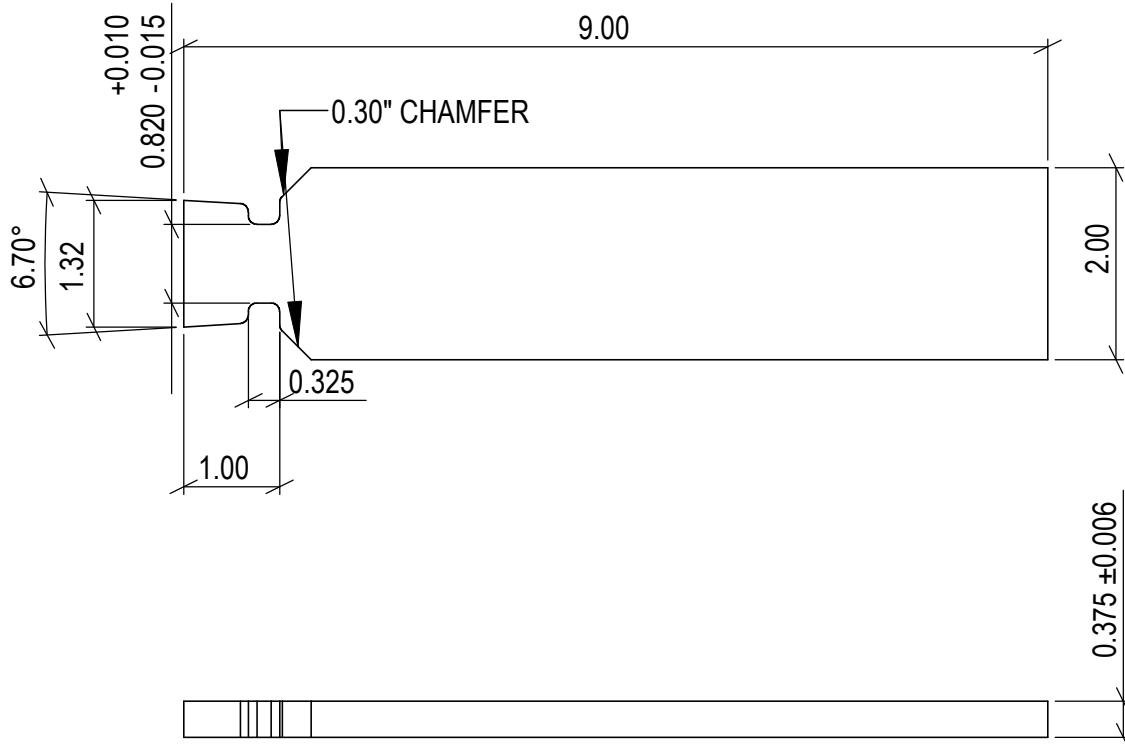


NOTES:


1. PLATE MATERIAL: ASTM A36/A529 GR50, CSA G40.21, 44W
2. AVAILABLE JVI PLATINUM J-FINISH
3. USE WITH M-SERIES PSA MN62 ONLY

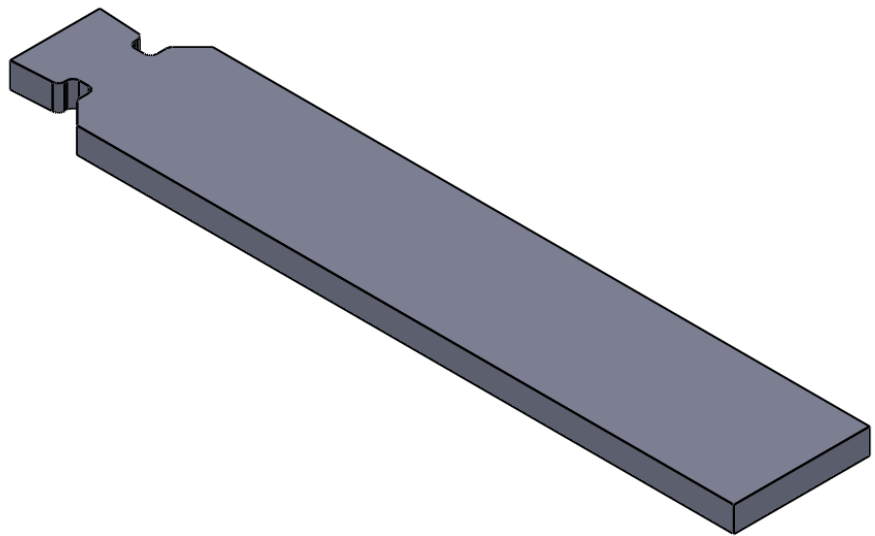
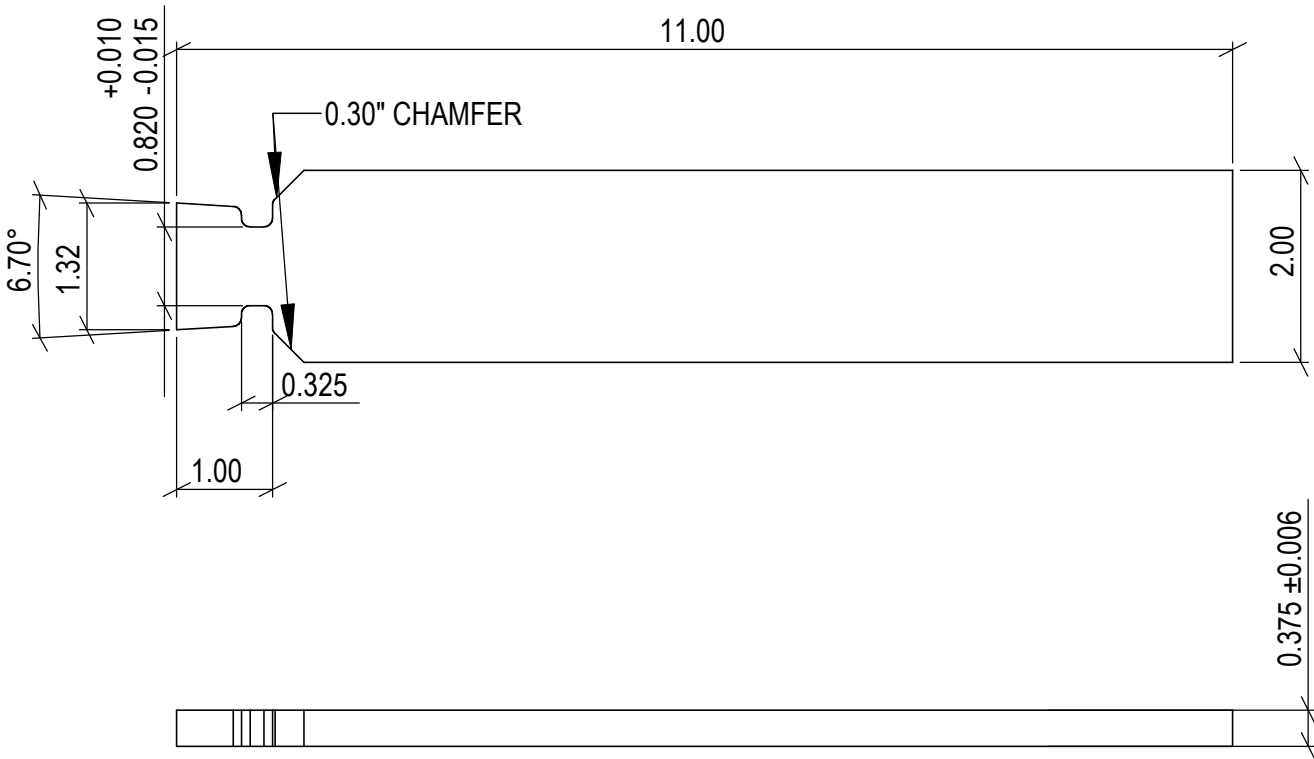
				7131 North Ridgeway Avenue Lincolnwood, Illinois 60712 USA Tel. 847/675-1560 - Fax 847/675-0083		NS07	
DATE	DRAWN	CHECKED	SCALE				
7.26.2017	JVI	---	1:2				



NOTES:


1. PLATE MATERIAL: ASTM A36/A529 GR50, CSA G40.21, 44W
2. AVAILABLE JVI PLATINUM J-FINISH
3. USE WITH M-SERIES PSA MN62 ONLY

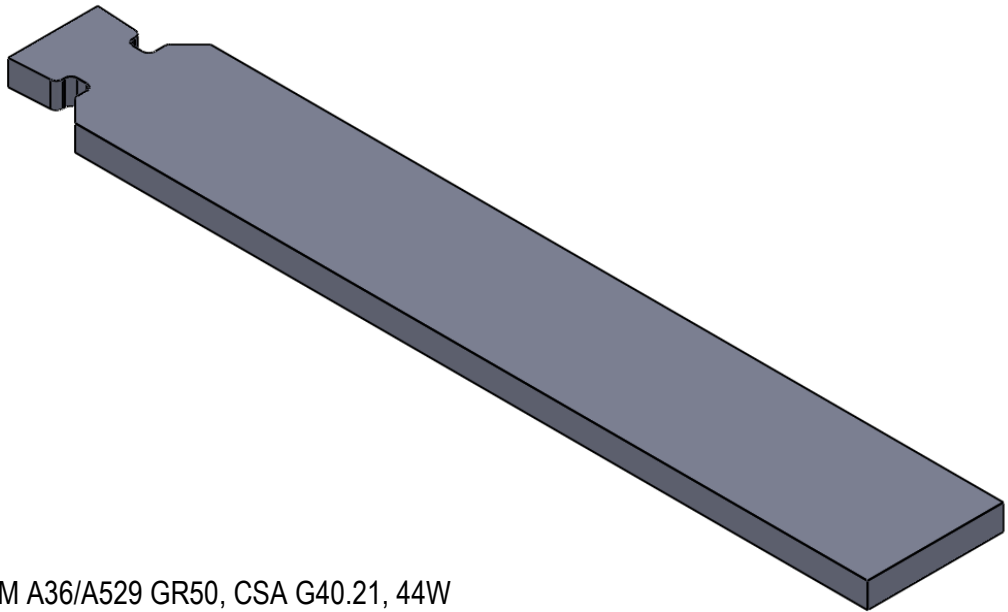
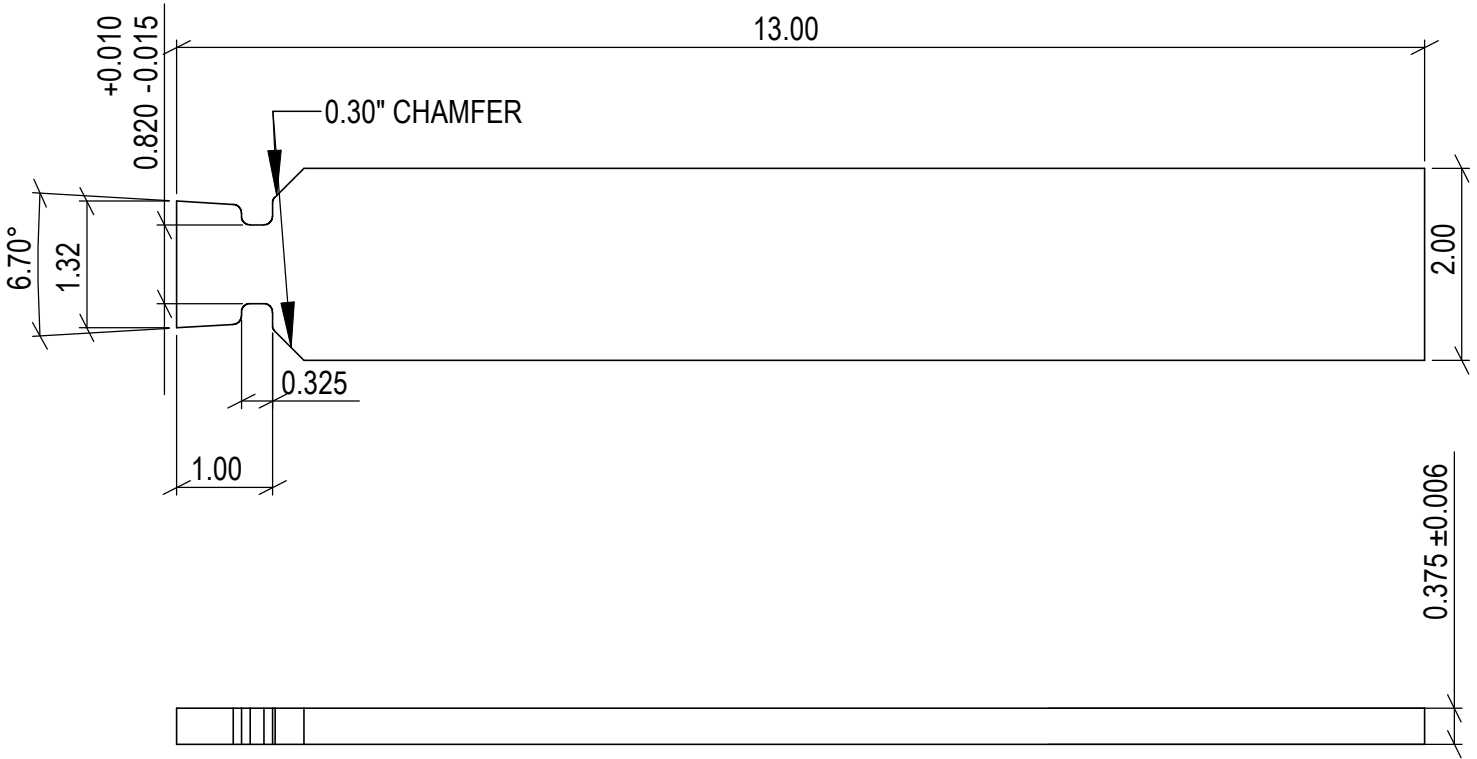
				7131 North Ridgeway Avenue Lincolnwood, Illinois 60712 USA Tel. 847/675-1560 - Fax 847/675-0083		NS09	
DATE	DRAWN	CHECKED	SCALE				
7.26.2017	JVI	---	1:2				



NOTES:


1. PLATE MATERIAL: ASTM A36/A529 GR50, CSA G40.21, 44W
2. AVAILABLE JVI PLATINUM J-FINISH
3. USE WITH M-SERIES PSA MN62 ONLY

				7131 North Ridgeway Avenue Lincolnwood, Illinois 60712 USA Tel. 847/675-1560 - Fax 847/675-0083		NS11	
DATE	DRAWN	CHECKED	SCALE				
7.26.2017	JVI	---	1:2				



NOTES:

1. PLATE MATERIAL: ASTM A36/A529 GR50, CSA G40.21, 44W
2. AVAILABLE JVI PLATINUM J-FINISH
3. USE WITH M-SERIES PSA MN62 ONLY

				7131 North Ridgeway Avenue Lincolnwood, Illinois 60712 USA Tel. 847/675-1560 - Fax 847/675-0083		NS13	
DATE	DRAWN	CHECKED	SCALE				
7.26.2017	JVI	---	1:2				