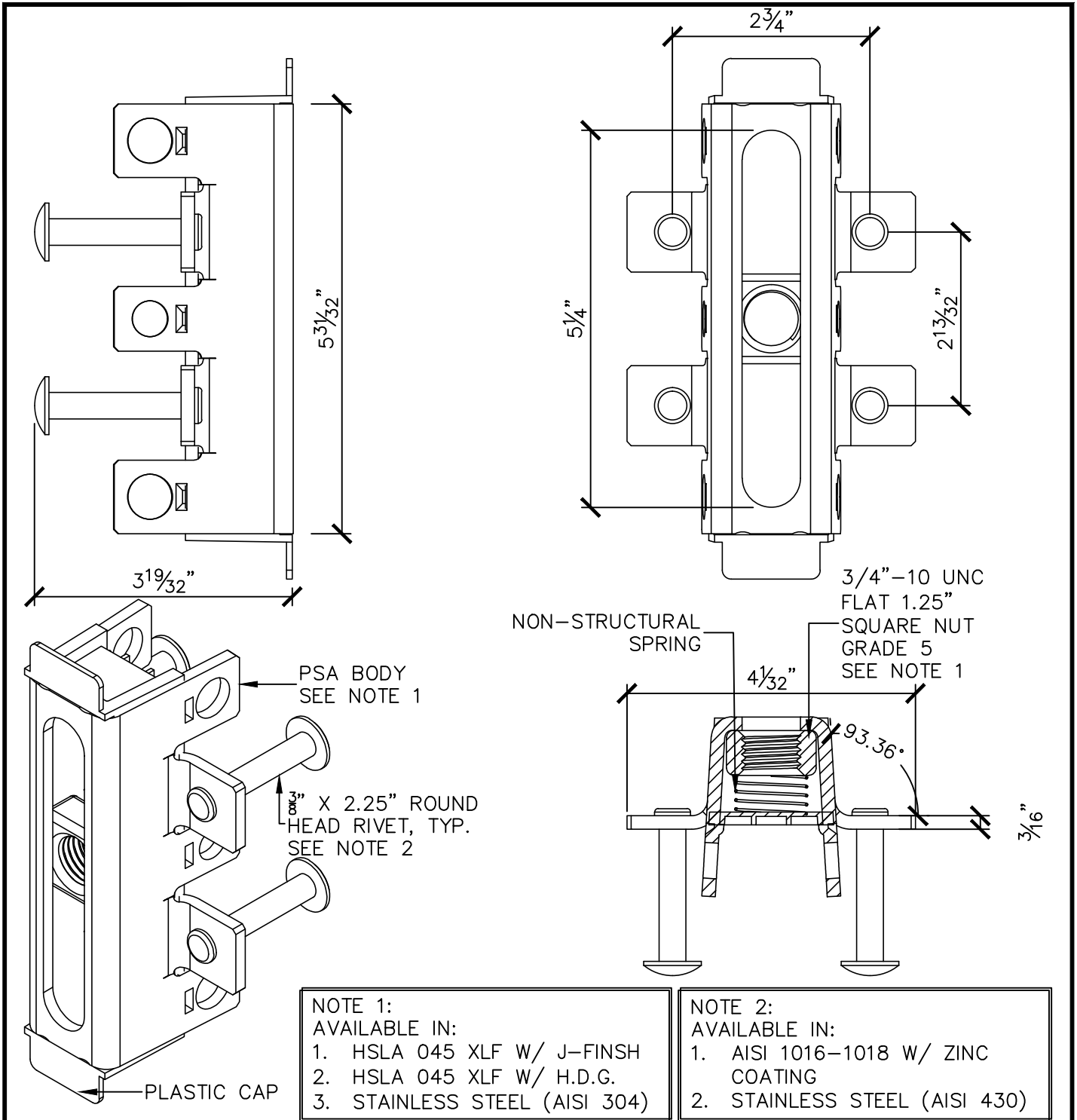


NOTE 1:
AVAILABLE IN:
1. HSLA 045 XLF W/ J-FINISH
2. HSLA 045 XLF W/ H.D.G.
3. STAINLESS STEEL (AISI 304)

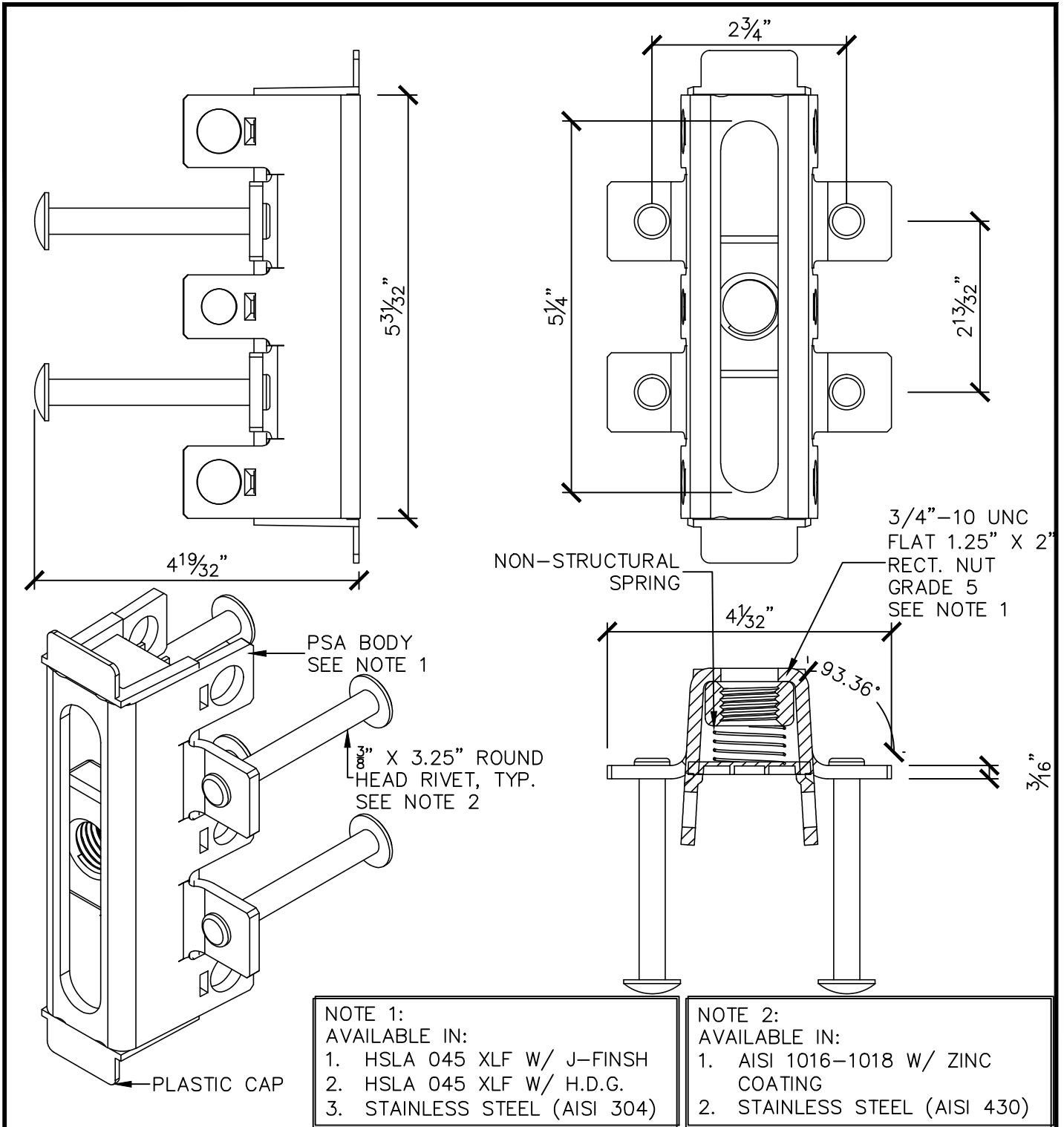
QTY	Description	WT.
1	6025 PSA (AVAILABLE J-FINISH, H.D.G. OR AISI 304)	1.8
-	-	-
-	-	-
-	-	-

	7131 North Ridgeway Avenue Lincolnwood, Illinois 60712 USA Tel. 847/675-1560 - Fax 847/675-0083		TOTAL WT. 1.8	QTY 1
	DATE 10.25.2016	DRAWN JVI	CHECKED	SCALE
			6" SLOTTED INSERT NOT STUDS	6025



QTY	Description	WT.
1	6035 PSA (AVAILABLE J-FINISH, H.D.G. OR AISI 304)	2.1
-	-	-
-	-	-
-	-	-

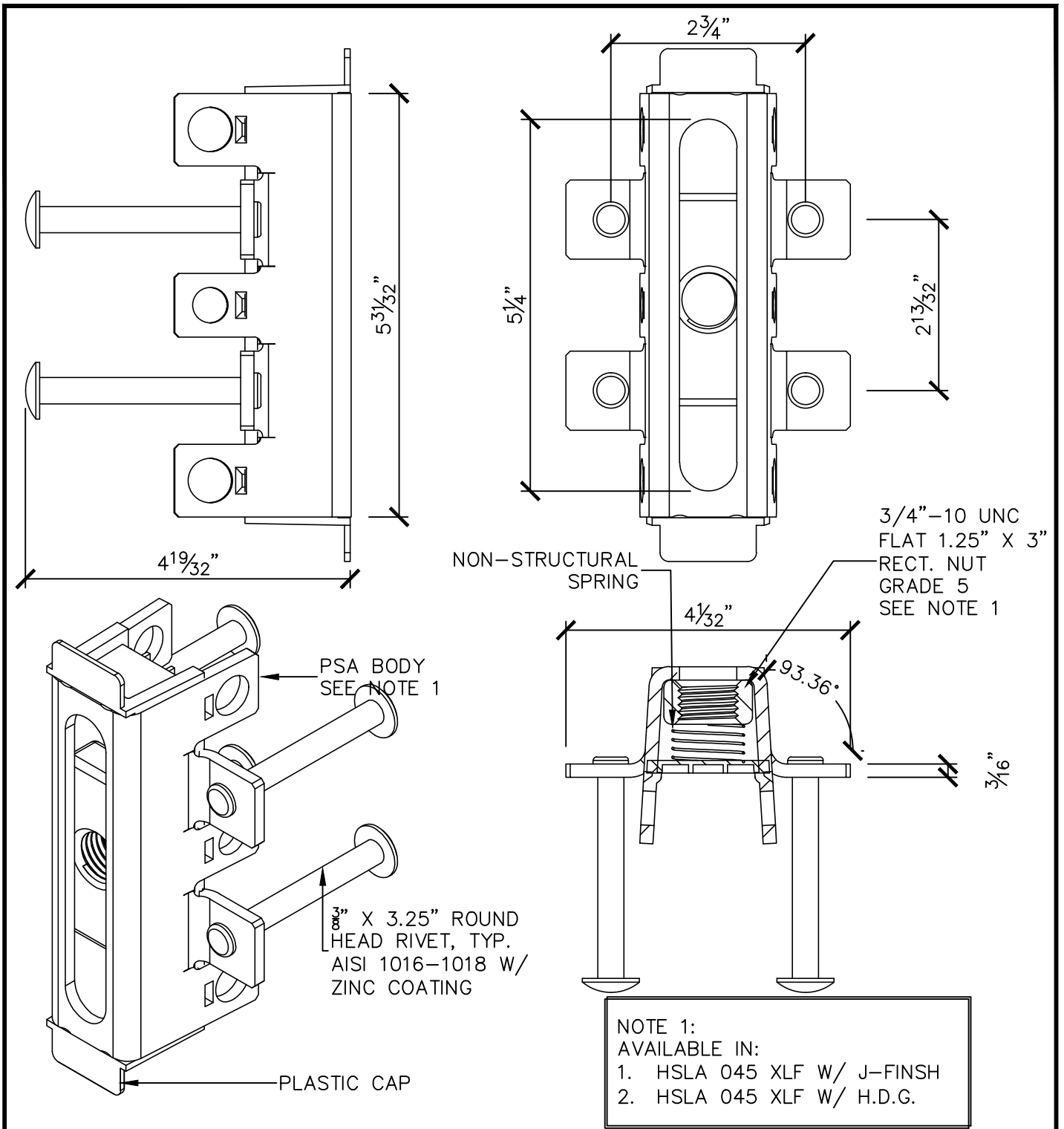
	7131 North Ridgeway Avenue Lincolnwood, Illinois 60712 USA Tel. 847/675-1560 - Fax 847/675-0083		TOTAL WT. 2.1	QTY 1	
	DATE 10.25.2016	DRAWN JVI	CHECKED	SCALE	6" SLOTTED INSERT SHORT STUDS



QTY	Description	WT.
1	6045 PSA (AVAILABLE J-FINISH, H.D.G. OR AISI 304)	2.4
-	-	-
-	-	-
-	-	-

	7131 North Ridgeway Avenue Lincolnwood, Illinois 60712 USA Tel. 847/675-1560 - Fax 847/675-0083		TOTAL WT. 2.4	QTY 1
	DATE 10.25.2016	DRAWN JVI	CHECKED	SCALE

6045

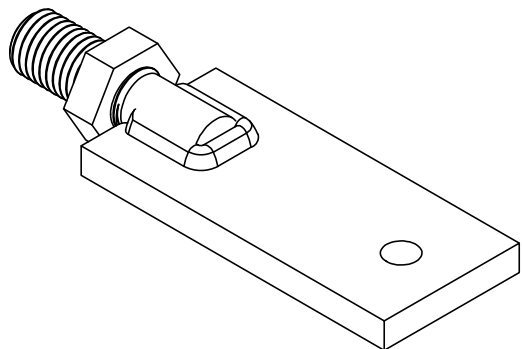
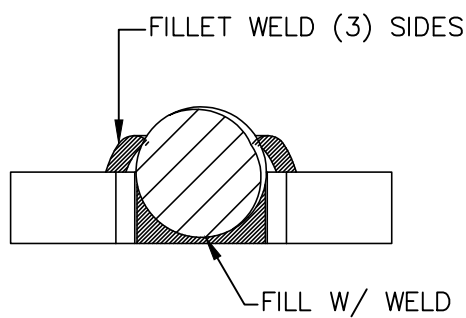
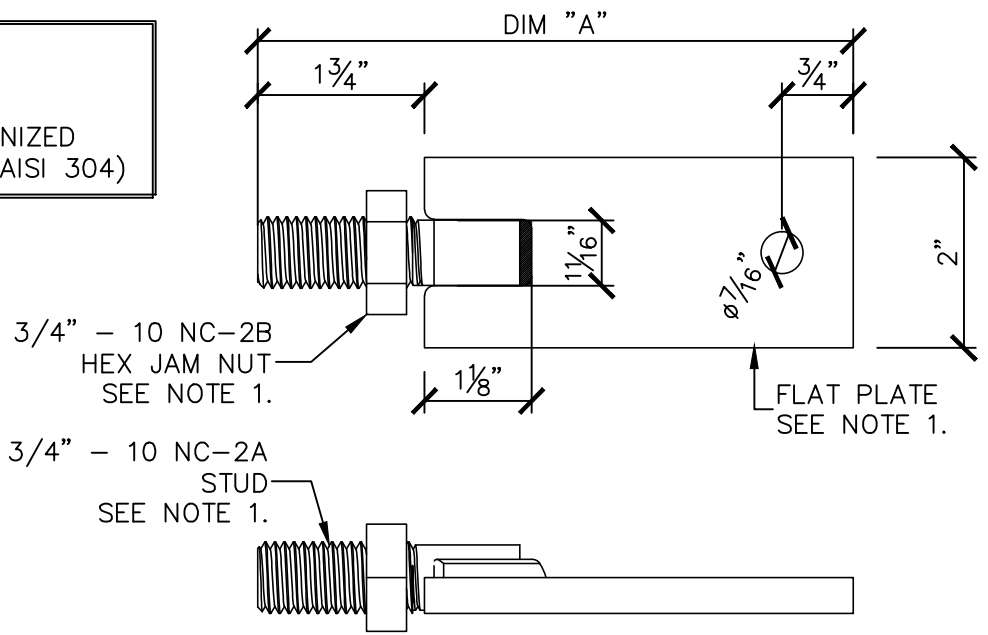


QTY	Description	WT.
1	6045B PSA (AVAILABLE J-FINISH, H.D.G. OR AISI 304)	2.6
-	-	-

DESIGN NOTE: ADDITIONAL REINFORCING REQUIRED TO ACHIEVE 30 KIPS NOMINAL TENSION LOAD. 24 KIPS NOMINAL W/O ADDITIONAL REINFORCING

	7131 North Ridgeway Avenue Lincolnwood, Illinois 60712 USA Tel. 847/675-1560 - Fax 847/675-0083		TOTAL WT. 2.6	QTY 1
	DATE 10.25.2016	DRAWN JVI	CHECKED	SCALE
			6" SLOTTED INSERT & 3" NUT	6045B

NOTE 1:
 AVAILABLE IN:
 1. JVI J-FINISH
 2. HOT DIPPED GALVANIZED
 3. STAINLESS STEEL (AISI 304)



MATERIALS BASED ON REQ'D FINISH		
PART	J-FINISH & H.D.G.	STAINLESS STEEL
FLAT PLATE	A36/A529GR40/CSA 44W	AISI 304
HEX NUT	SAE J995 GRADE 5	AISI 304 MARK A194GR. 8
STUD	AISI 1038 CRS	AISI 304 A193 B8 CLASS 1

DIM "A"	PART NO.	DESCRIPTION	WT.
6 1/4"	S0675	6" THREADED STRAP	1.3
8 1/4"	S0875	8" THREADED STRAP	1.6
10 1/4"	S1075	10" THREADED STRAP	2.1
12 1/4"	S1275	12" THREADED STRAP	2.5

	7131 North Ridgeway Avenue Lincolnwood, Illinois 60712 USA Tel. 847/675-1560 - Fax 847/675-0083		TOTAL WT. SEE CHART	QTY 1	
	DATE 10.25.2016	DRAWN JVI	CHECKED	SCALE	PSA THREADED STUD STRAPS