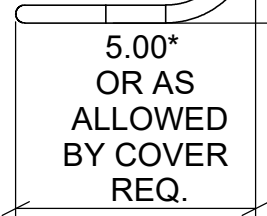


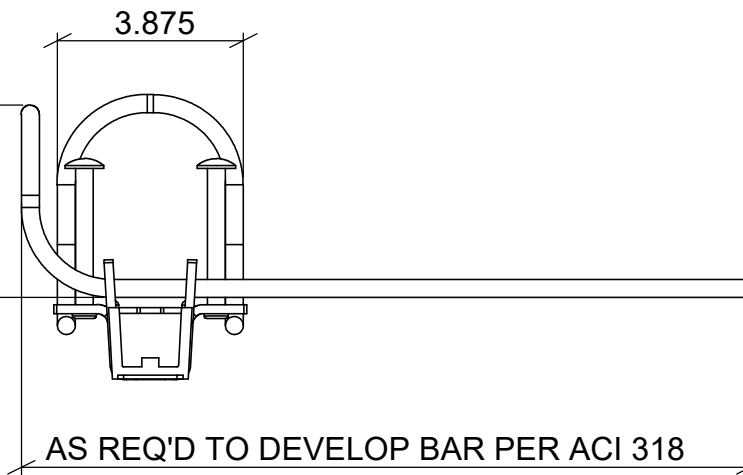
5.334

4.96

AS REQ'D TO DEVELOP BAR PER ACI 318



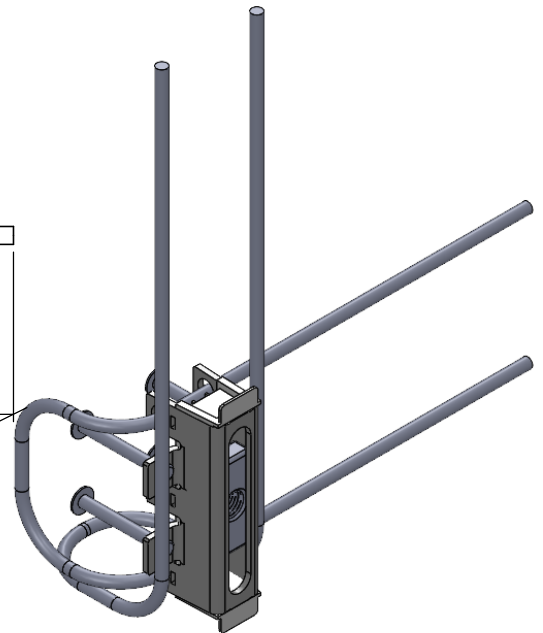
5.00*
OR AS
ALLOWED
BY COVER
REQ.



4.00*
OR AS
ALLOWED BY
COVER REQ.

3.875

AS REQ'D TO DEVELOP BAR PER ACI 318



* PSA TEST REPORT #7 WAS CONDUCTED WITH HOOK LENGTHS OF 4" & 5". ACI 318 REQUIRES A MIN. OF 6" TO DEVELOP A STANDARD HOOK. USE OF HOOK LENGTHS LESS THAN 6" ARE AT THE DISCRETION OF THE ENGINEER.



7131 North Ridgeway Avenue
Lincolnwood, Illinois 60712 USA
Tel. 847/675-1560 - Fax 847/675-0083

PSA WITH EDGE REINFORCING

PSA W/ ADDITIONAL REINFORCING FOR EDGE CONDITIONS LESS THAN MIN.

DATE	DRAWN	CHECKED	SCALE
---	JVI	---	1:4